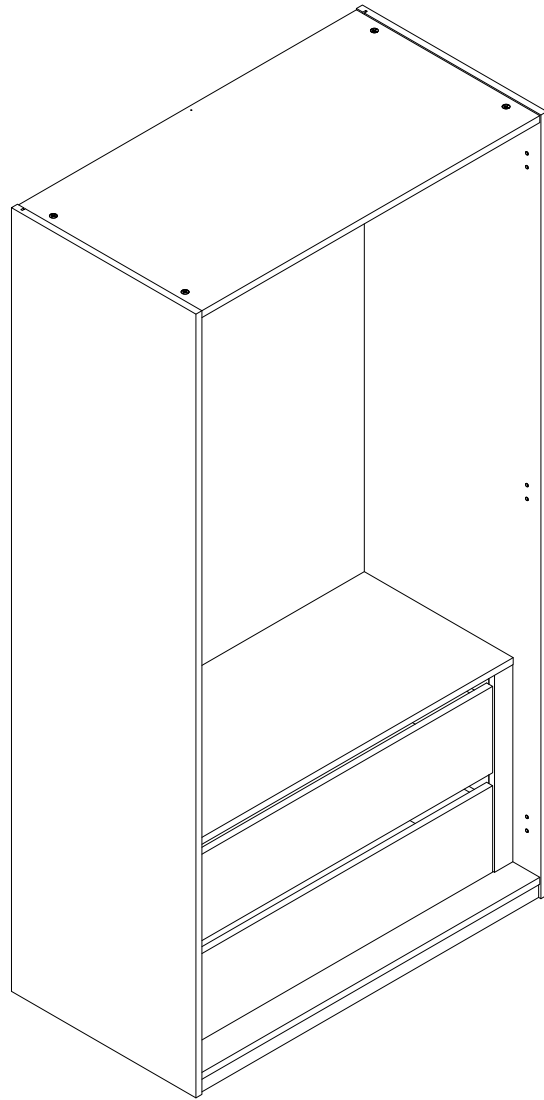


5795341COM 2 Drawer Wardrobe

Ameriwood
HOME

Date of Purchase ___ / ___ / ___
Lot Number:

B345795341COM0



THIS INSTRUCTION BOOKLET CONTAINS **IMPORTANT** SAFETY INFORMATION. PLEASE READ AND KEEP FOR FUTURE REFERENCE.

Do Not Return This Product!

Contact our customer service team for help first.

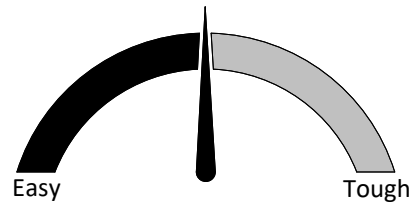
Call: 1-800-489-3351 (toll free)

Visit: www.ameriwoodhome.com



WARNING

- Unit can tip over causing severe injury or death.
- Anchor unit to stud in wall (if instructed to).
- Do Not allow children to climb on unit.
- Put heavy items on lower shelves or drawers.



Assembly Difficulty Meter

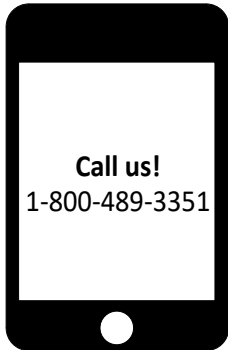
Follow Ameriwood Home



Contact Us!

Do NOT return this product!

Contact our friendly customer service team first for help.



Visit ameriwoodhome.com to view the limited warranty valid in the U.S. and Canada.

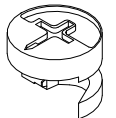
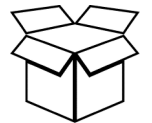
Assembly Tips

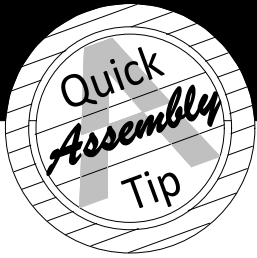


Helpful Hints

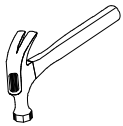
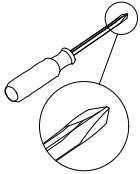
PEOPLE NEEDED FOR ASSEMBLY: 1-2

- Open your item in the area you plan to keep it to avoid excessive heavy lifting.
- Identify, sort and count the parts before attempting assembly.
- Compression dowels are lightly tapped in with a hammer.
- Slides are labeled with a **R** (right) and **L** (left) for proper placement.
- Make sure to always face the point on the top of the Cam Lock towards the outer edge.
- Use all the nails provided for the back panel and spread them out equally.
- Back panel must be used to make sure your unit is sturdy.
- Do NOT use harsh chemicals or abrasive cleaners on this item.
- Never push, pull, or drag your furniture.





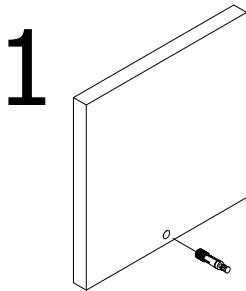
Before You Start



- ✓ Read through each step carefully and follow the proper order
 - ✓ Separate and count all your parts and hardware
Parts are labeled on the surface or edge of the part
 - ✓ Give yourself enough room for the assembly process
 - ✓ Have the following tools: #2 Phillips Head Screwdriver and Hammer
- Caution: If using a power drill or power screwdriver for screwing, please be aware to slow down and stop when screw is tight. Reduce torque setting to a lower level so the drill will skip when the screw is tight. Failure to do so may result in stripping the screw.

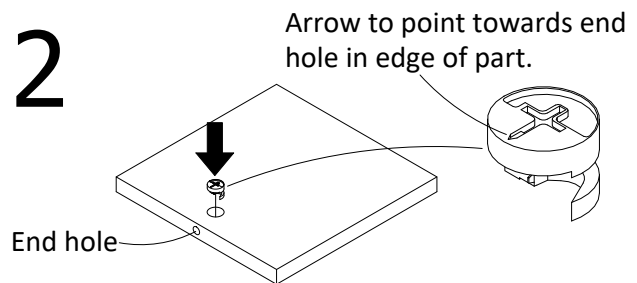
Cam Lock Fastening System

This Cam Lock Fastening System will be used throughout the assembly process.



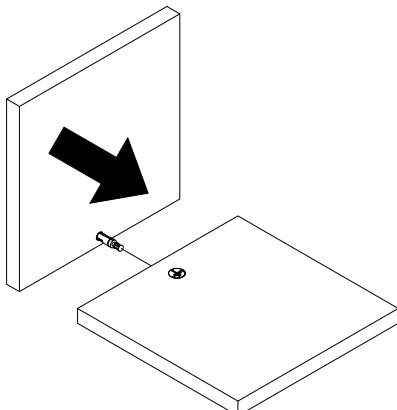
1 Press CAM BOLT into hole.

2



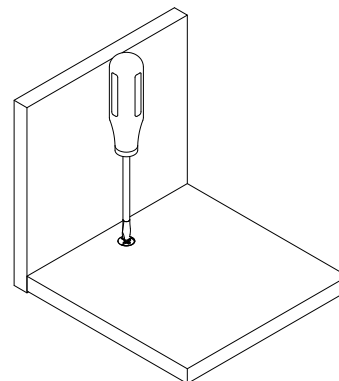
Press CAM LOCK into hole.

3

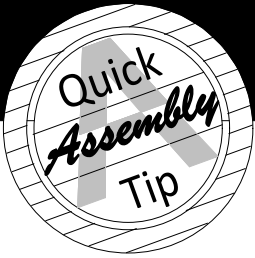


Press parts together so CAM BOLT inserts into edge hole.

4

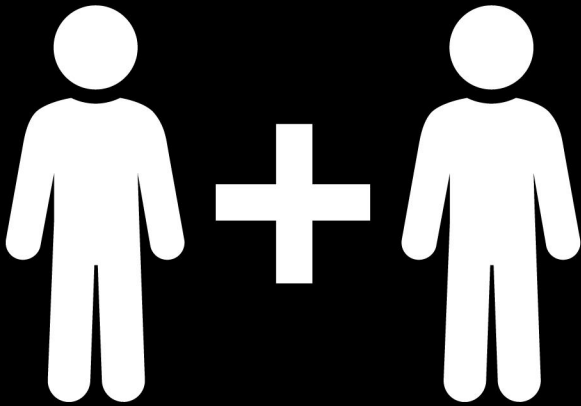
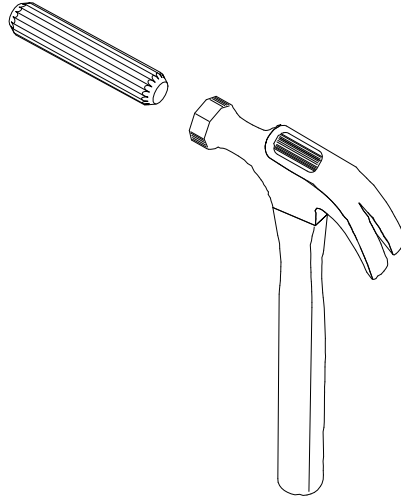


Using a screwdriver, turn the CAM LOCK clockwise to lock the CAM LOCK and CAM BOLT into their holes and fastening parts together.



Before You Start

Please Note:
You may need to lightly tap the wood dowels into the holes during your assembly process.



2 PEOPLE NEEDED FOR ASSEMBLY

**2 PERSONAS NECESITADAS
PARA LA ASAMBLEA**

**2 PERSONNES NÉCESSAIRES
POUR L'ASSEMBLAGE**

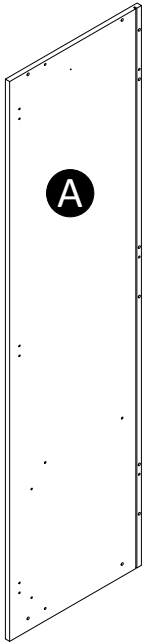
CAUTION: Failure to use 2 people for assembly could result in unit damage or personal injury.

PRECAUCIÓN: Si no se utilizan 2 personas para el ensamblaje, se pueden producir daños en la unidad o lesiones personales.

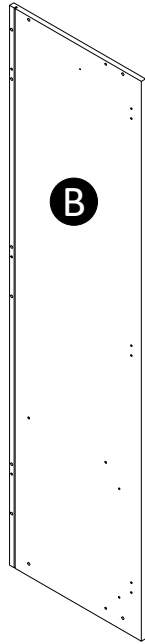
ATTENTION: Échec d'utiliser 2 personnes pour l'assemblage peut causer du dommage au meuble ou causer des blessures.

Board Identification

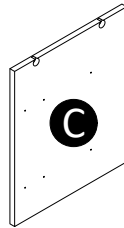
Not actual size



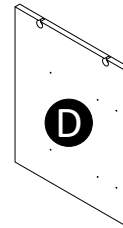
Left Side Panel
35795341011



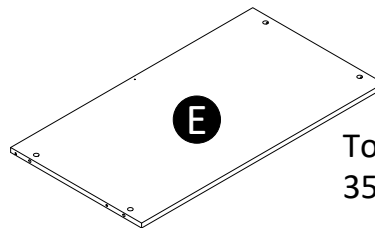
Right Side Panel
35795341021



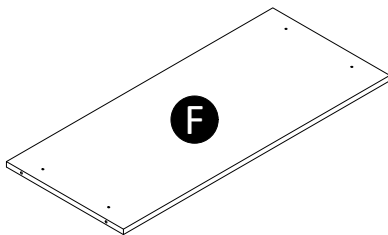
Left Inner Upright
35795341031



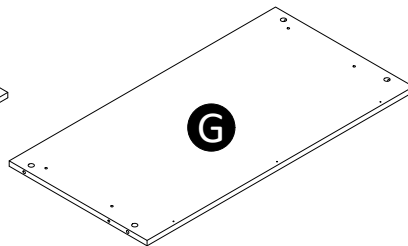
Right Inner Upright
35795341041



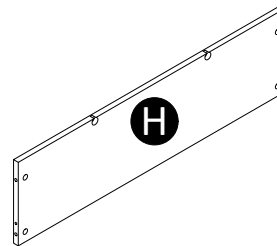
Top
35795341050



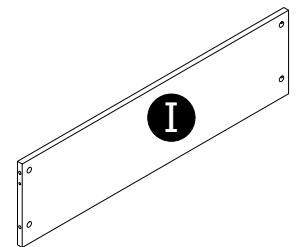
Shelf
35795341060



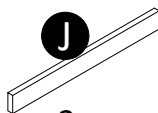
Bottom
35795341070



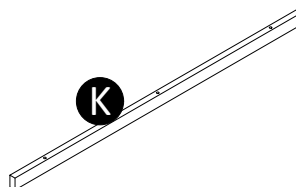
Rear Top Stringer
35795000080



x2
Rear Lower Stringer
35795000090



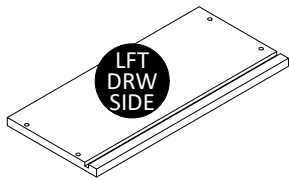
x2
Vertical Rail
35795341101



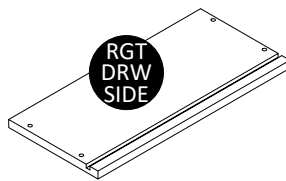
Kick
35795341110

Board Identification

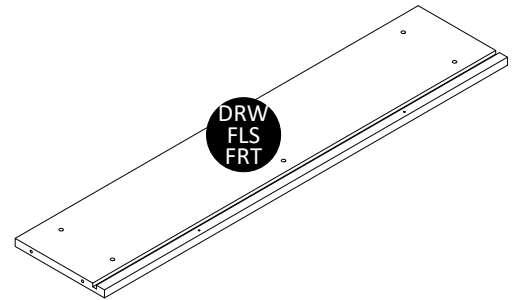
Not actual size



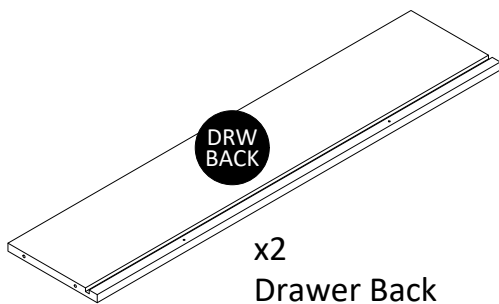
x2
Drawer Side Left
39991167359430L



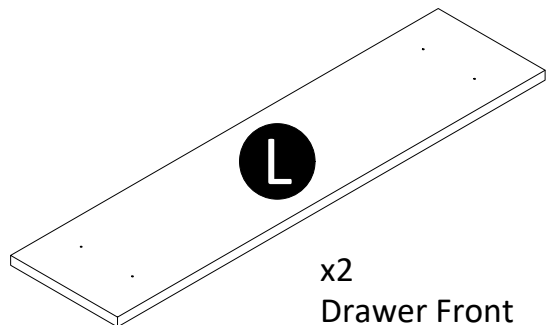
x2
Drawer Side Right
39991167359430R



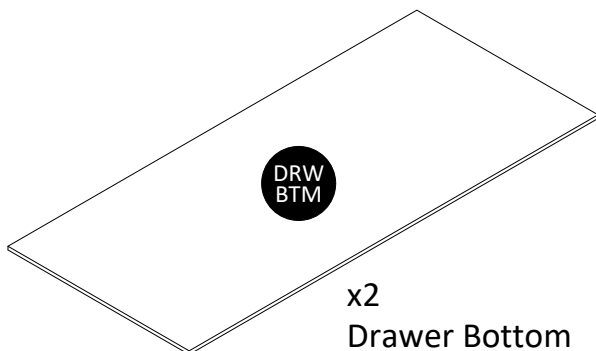
x2
Drawer False Front
39991167075419F



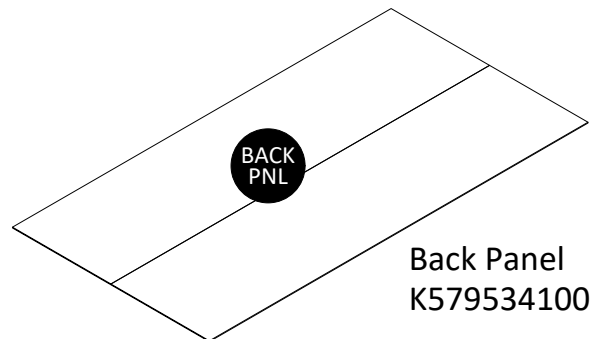
x2
Drawer Back
39991167075419B



x2
Drawer Front
35795331120



x2
Drawer Bottom
39991339076520D

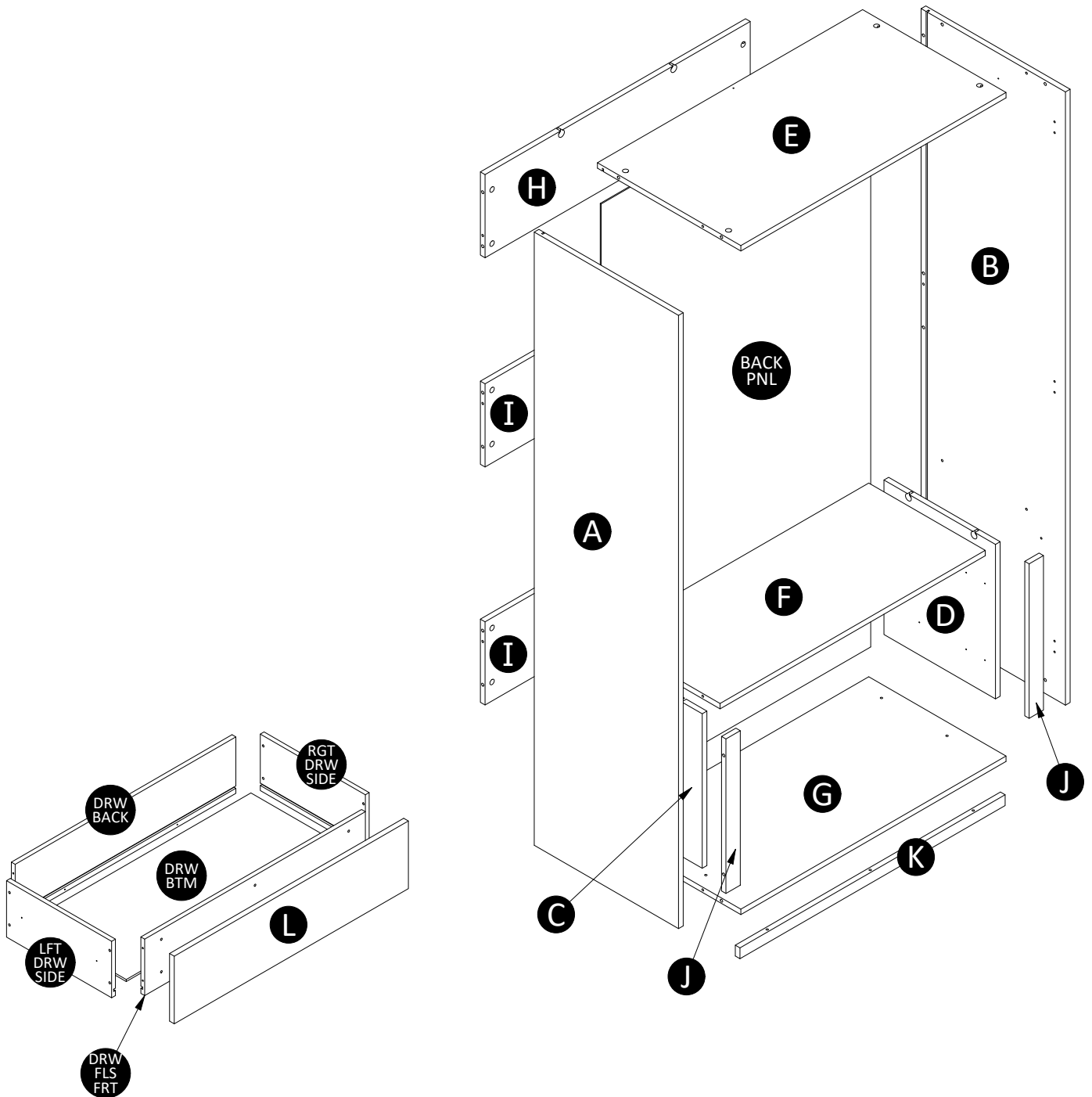


Back Panel
K579534100

This piece is paperboard construction. It is not made from wood, but is required for the assembly of your unit.

Board Identification

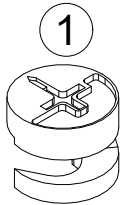
Not actual size



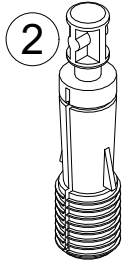
Note: Your unit may contain extra hardware.

Part List

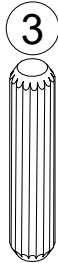
Actual Size



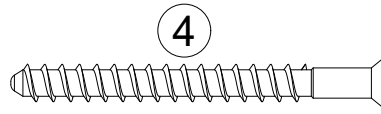
(x24)
#A22700
cam lock



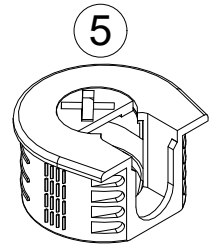
(x24)
#A22710
cam bolt



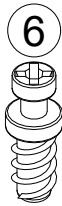
(x14)
#A21670
wood dowel



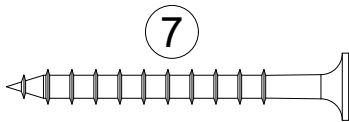
(x4)
#A23030
confirmat screw



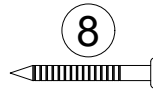
(x6)
#A22900
connector housing



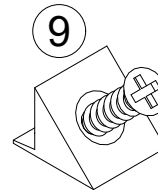
(x6)
#A22910
connector bolt



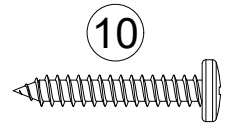
(x3)
#A13410
1-3/4" screw



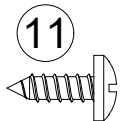
(x6)
#A21110
nail



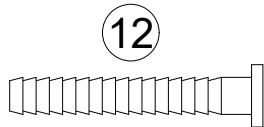
(x8)
#A54710
wedge



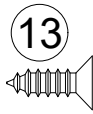
(x12)
#A12810
1" screw



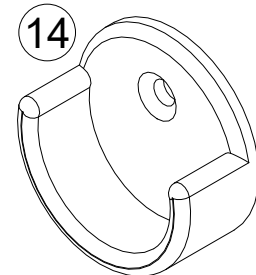
(x32)
#A12120
7/16" screw



(x16)
#A21975
drive fastener



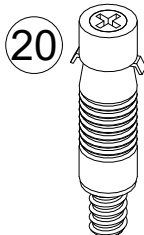
(x2)
#A11080
7/16" screw



(x2)
#A82010
rod bracket



(x12)
#A24930
hole plug

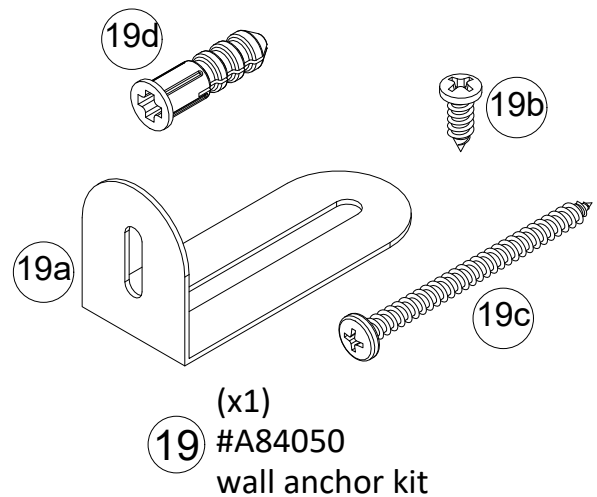
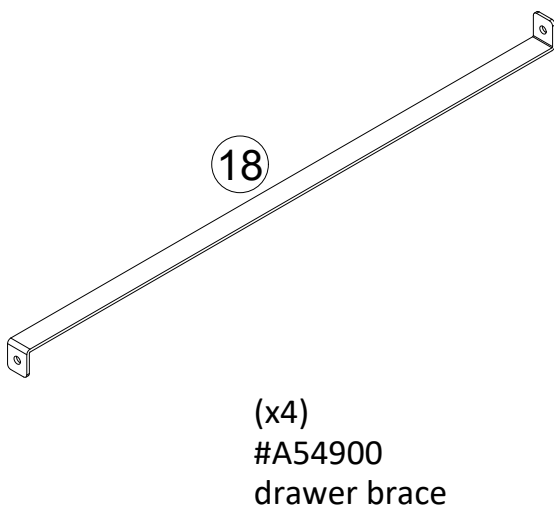
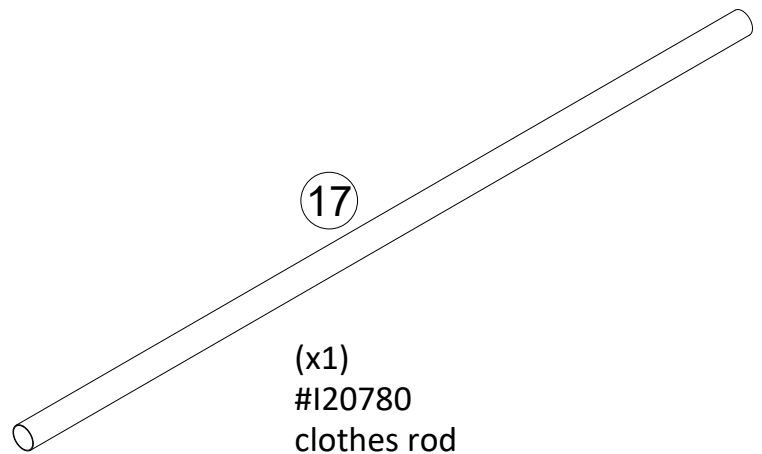
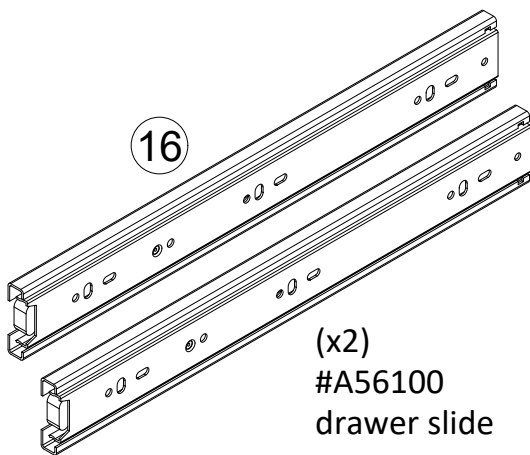


(x4)
#A21960
hidden fastener

Note: Your unit may contain extra hardware.

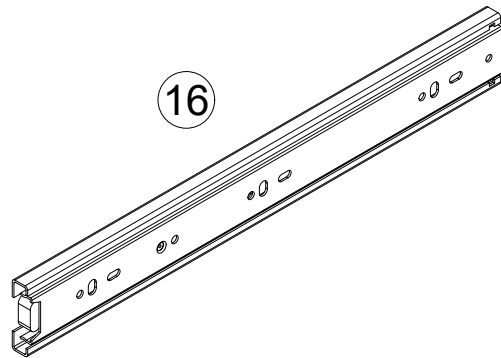
Part List

Not Actual Size

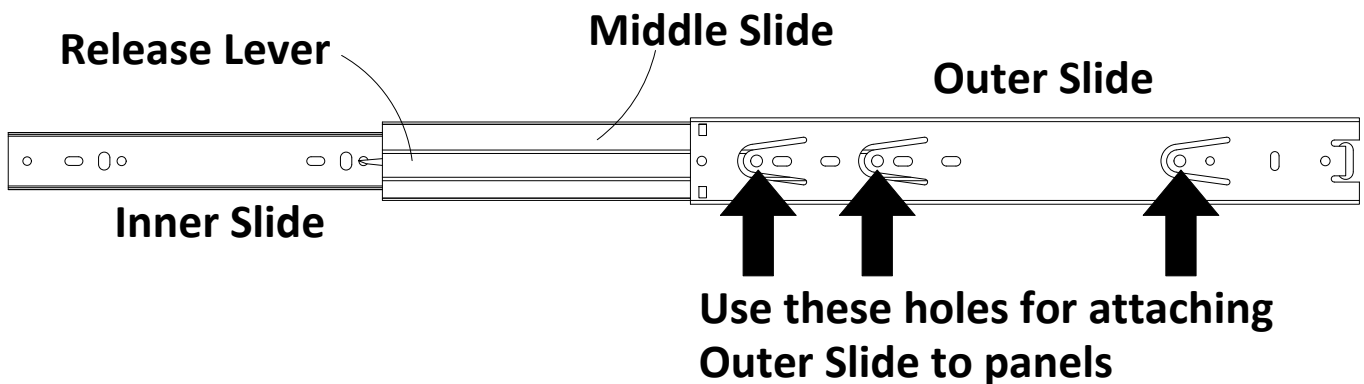


Part List

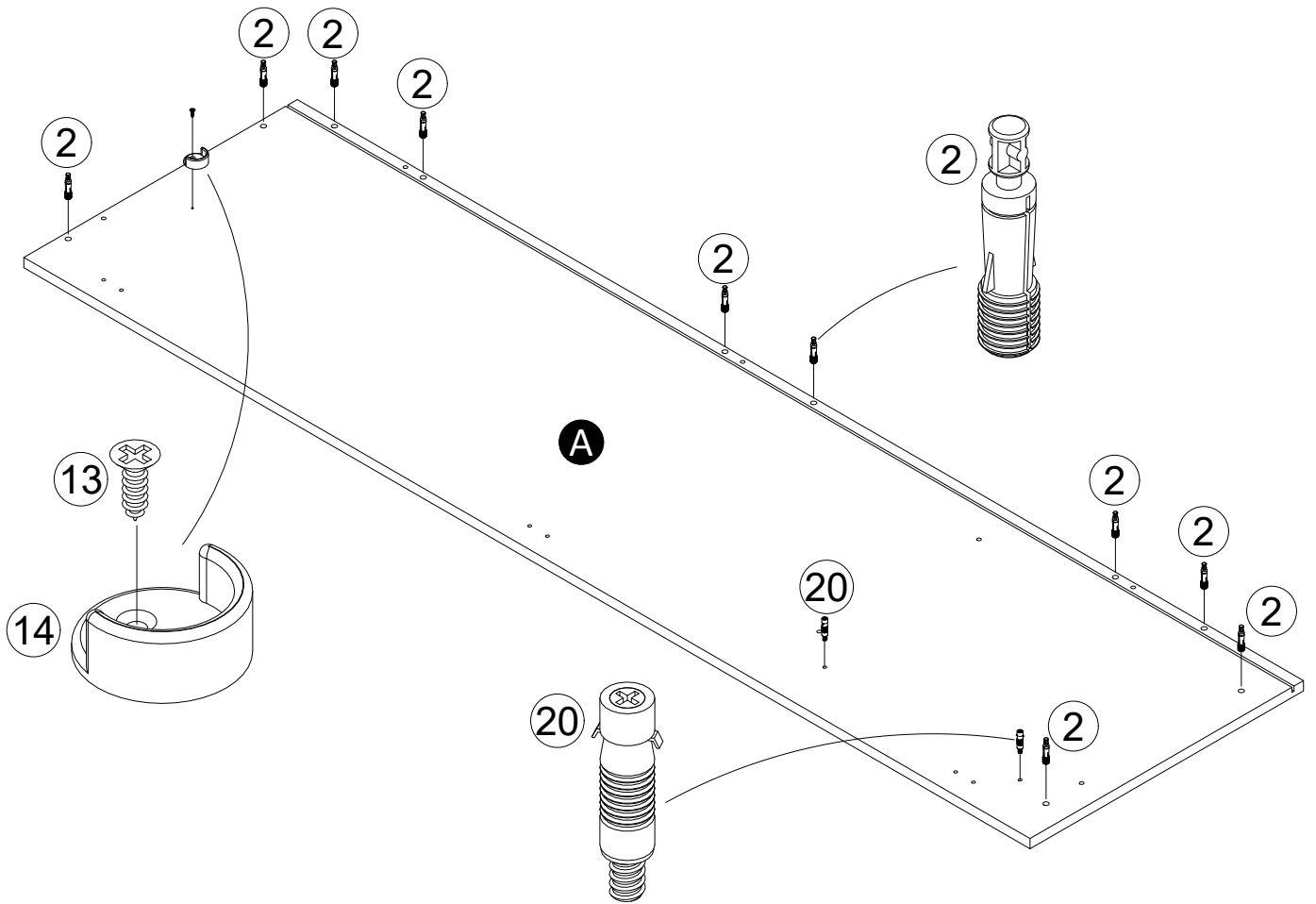
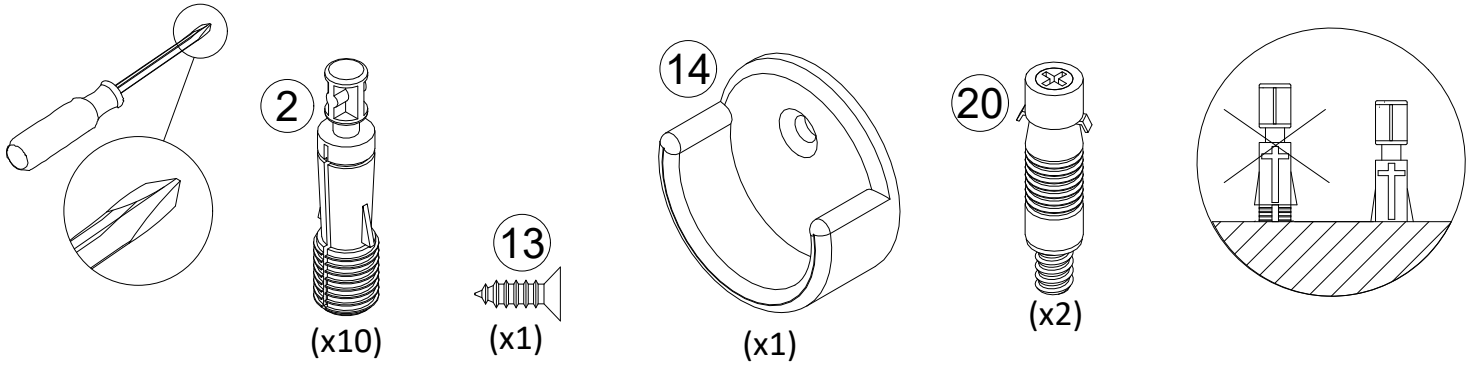
Slide Information



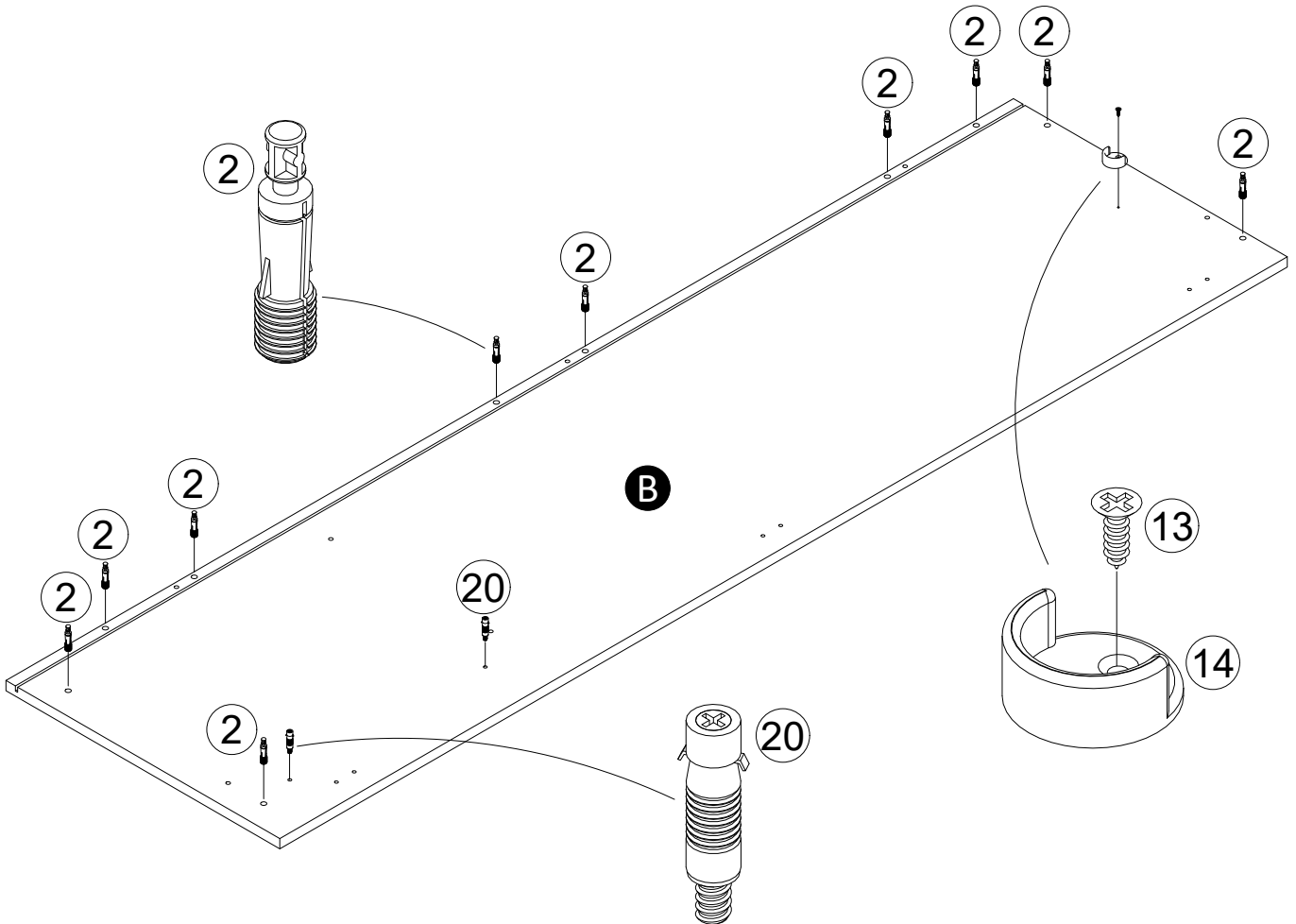
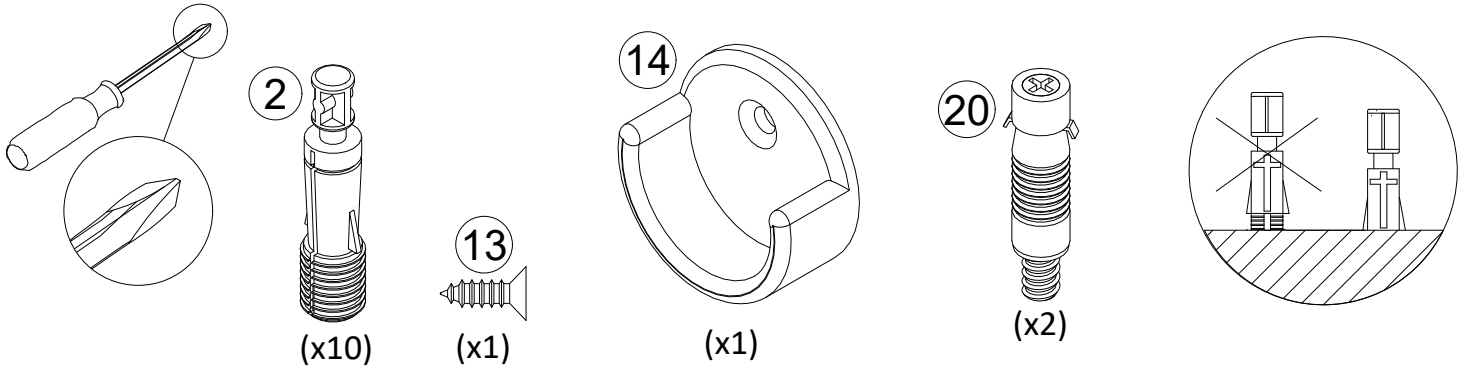
Your unit comes with four (4) drawer slides. For each slide, extend the slide as shown and press the release lever to remove the inner slide. Set the inner slide aside for later. For Step 3 and 4, you will be attaching the slide to the panels at the rear of the slide. While sliding the middle slide, locate the holes in the panels with the access holes in the middle slide and fasten with screws.



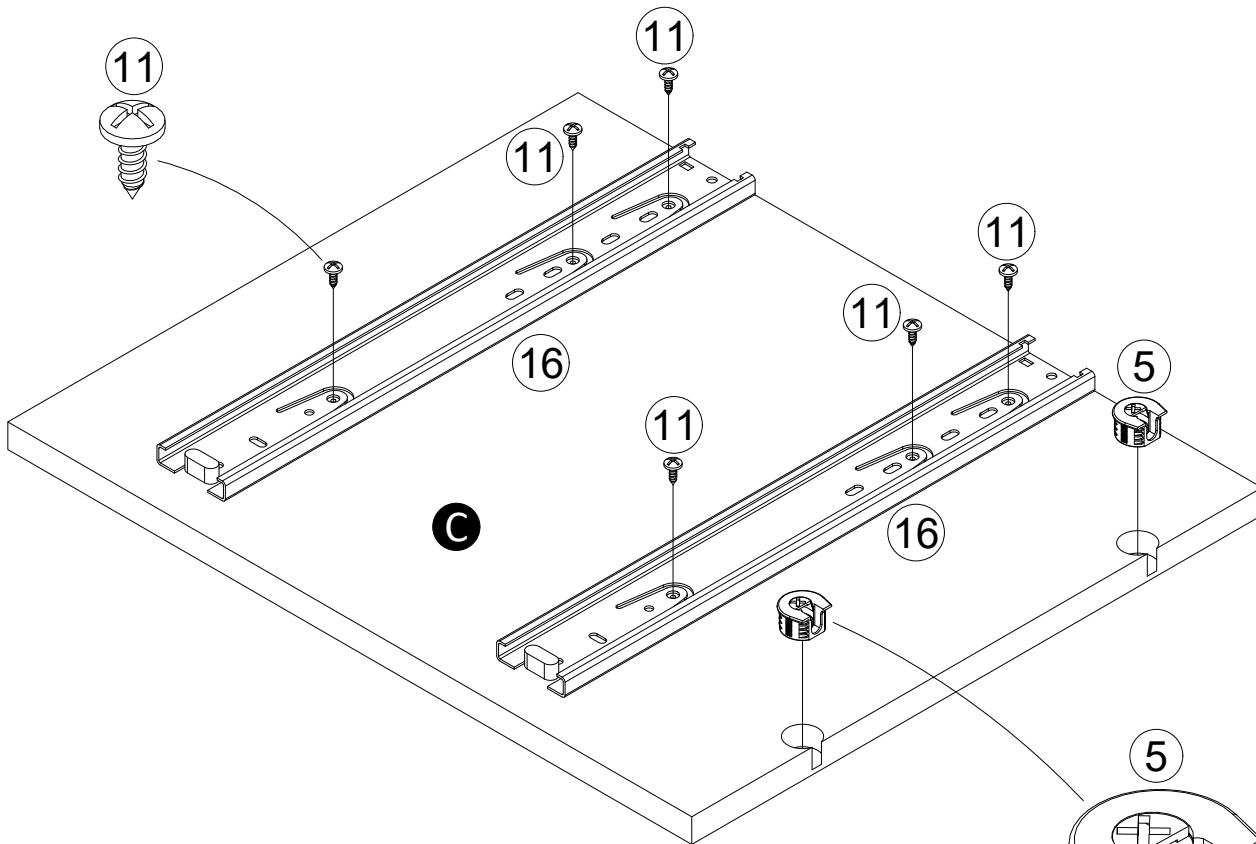
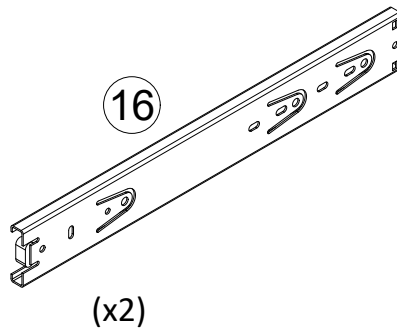
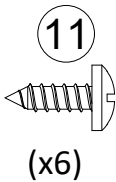
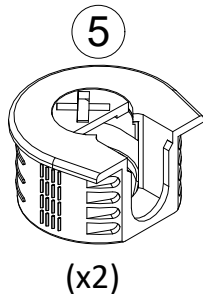
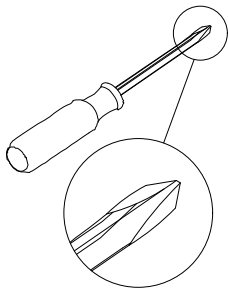
STEP 1



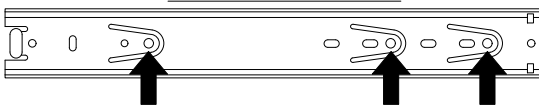
STEP 2



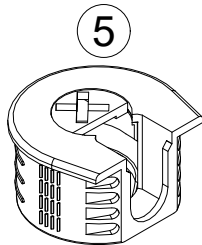
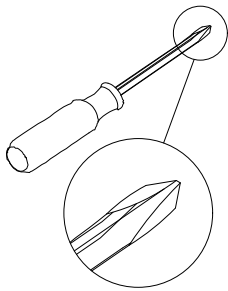
STEP 3



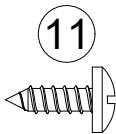
Use these holes



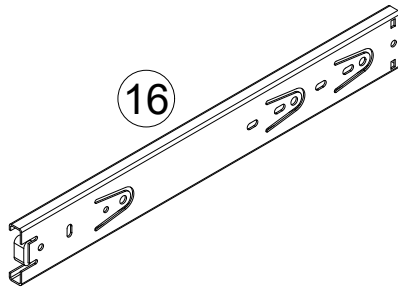
STEP 4



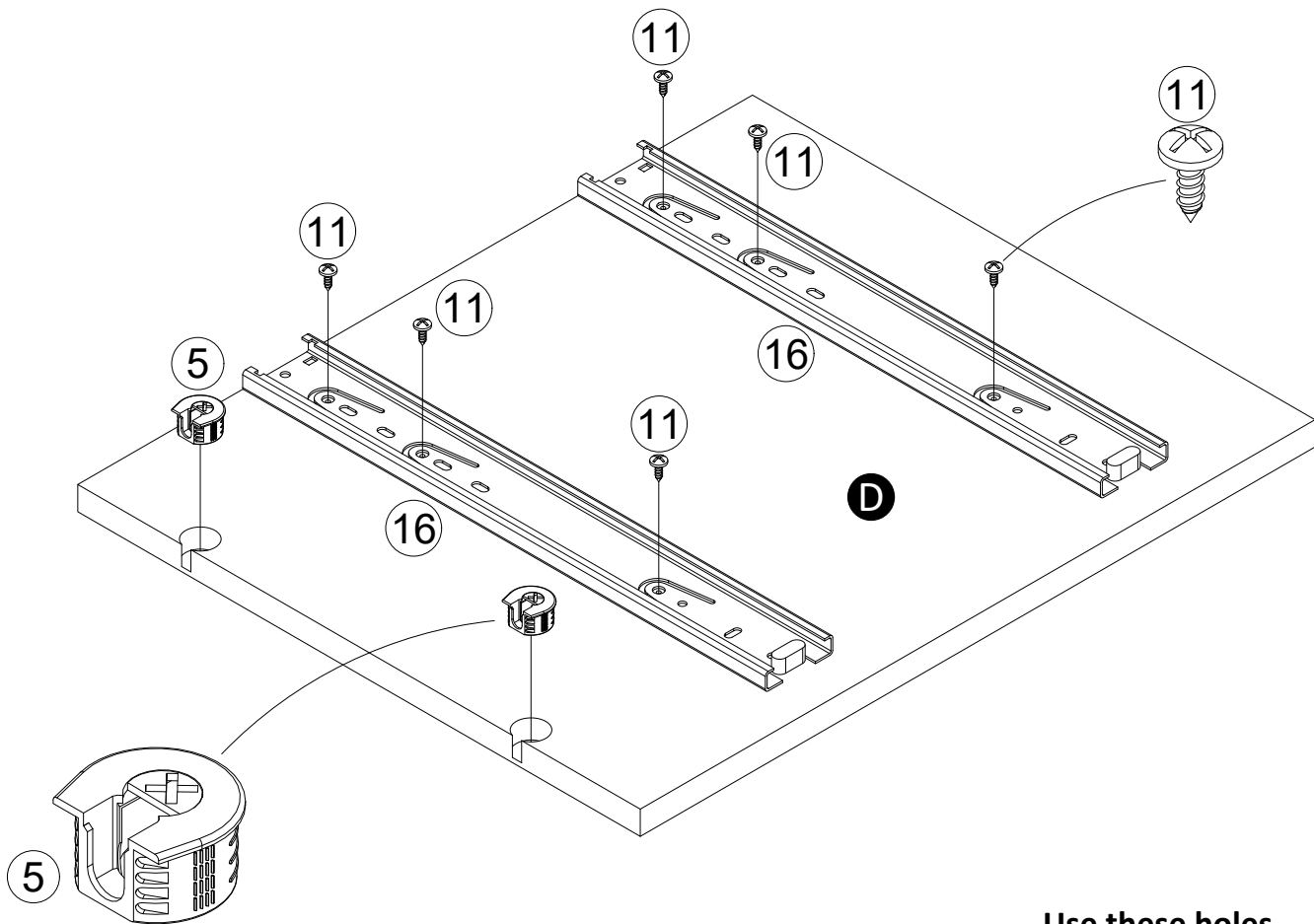
(x2)



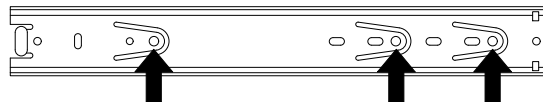
(x6)



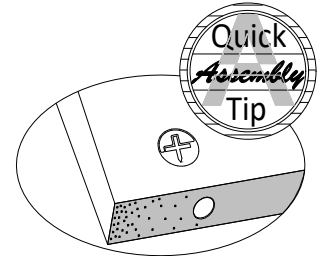
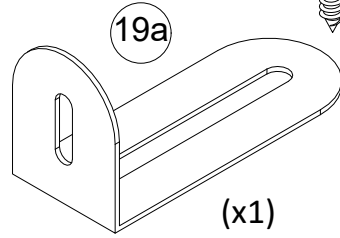
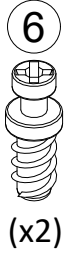
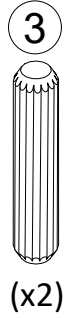
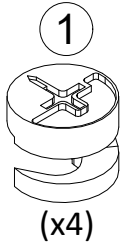
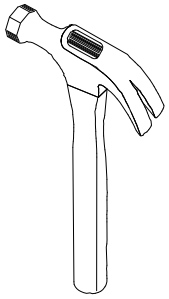
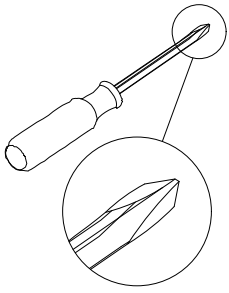
(x2)



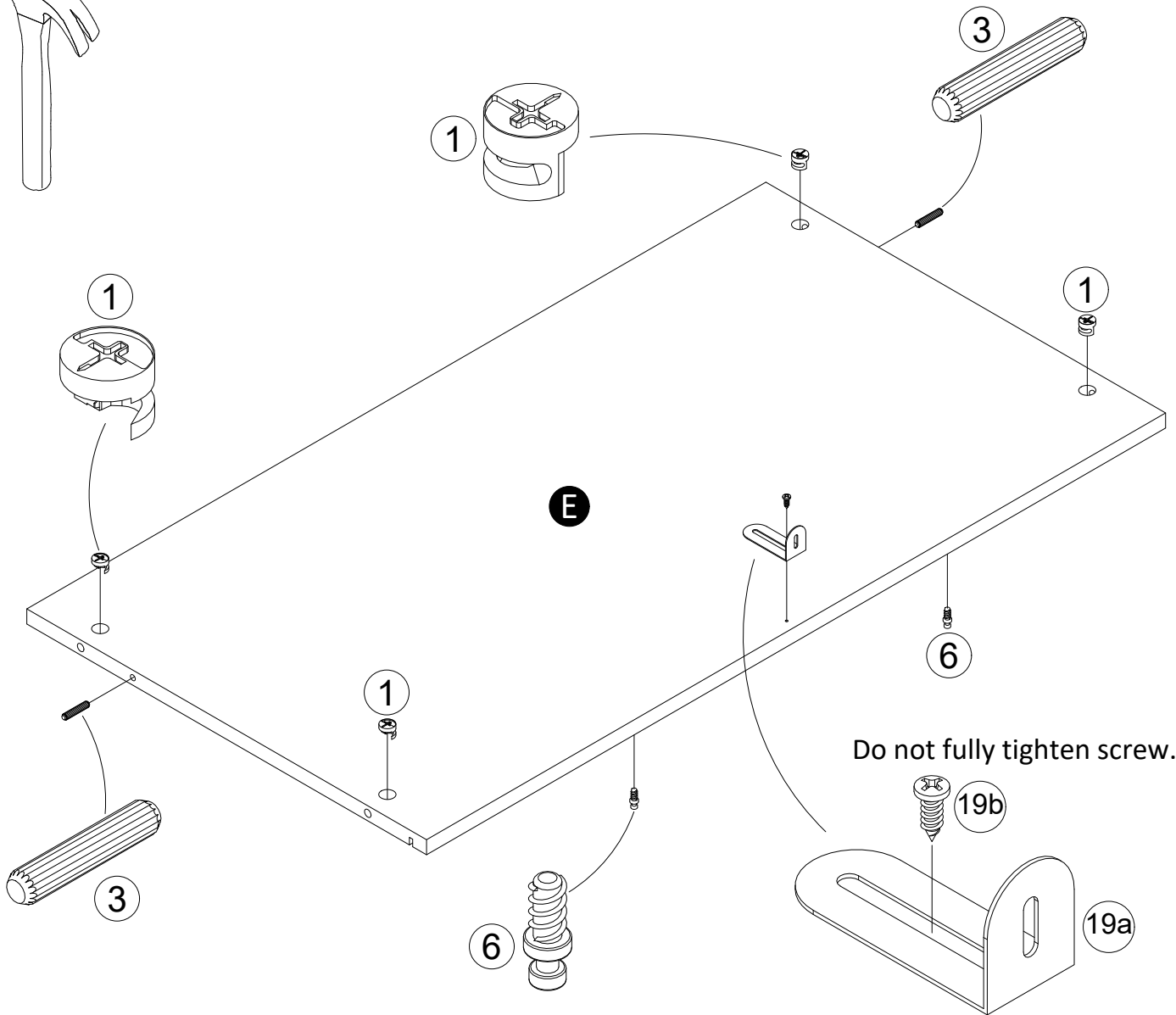
Use these holes



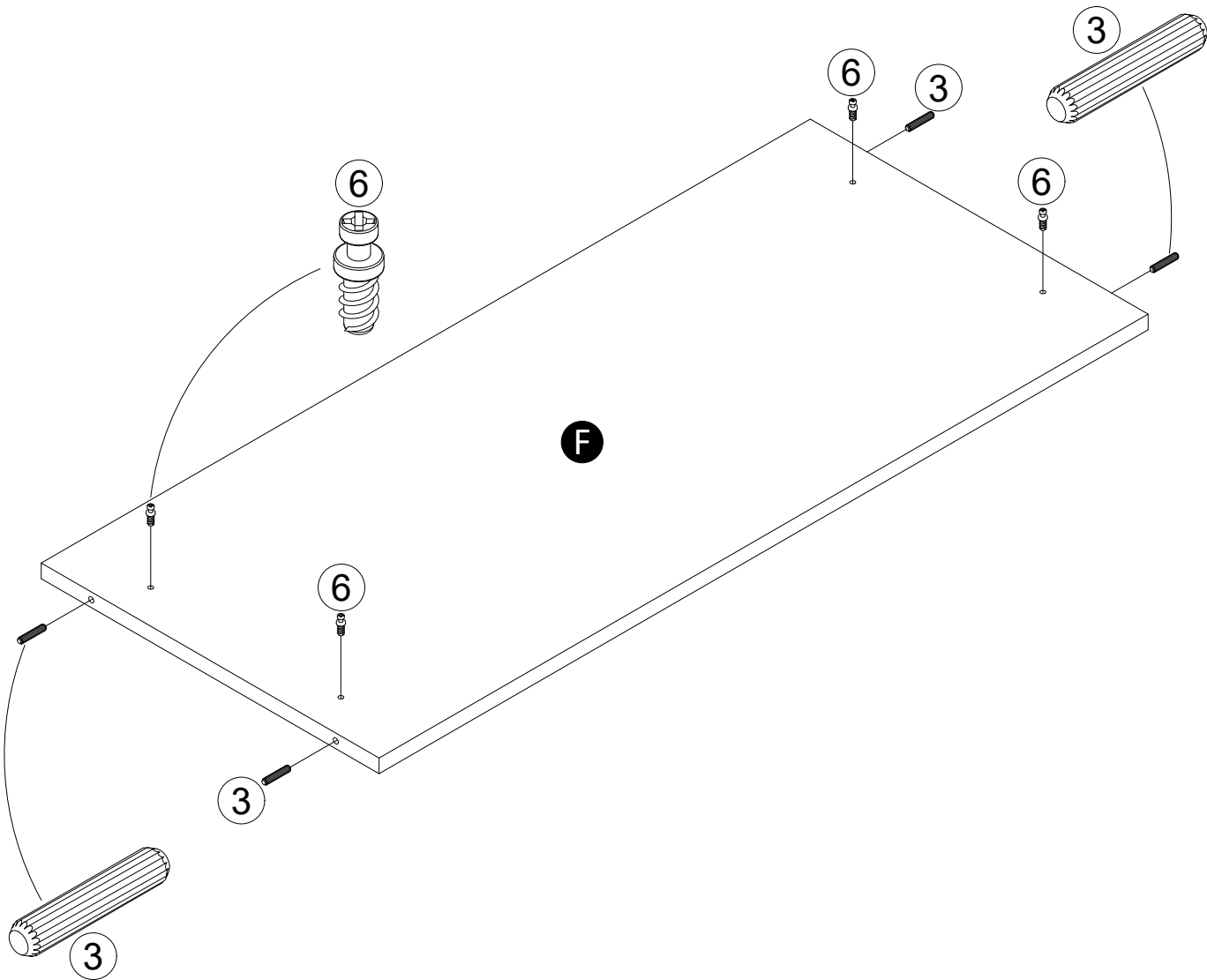
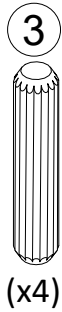
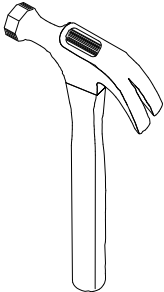
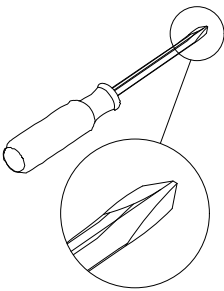
STEP 5



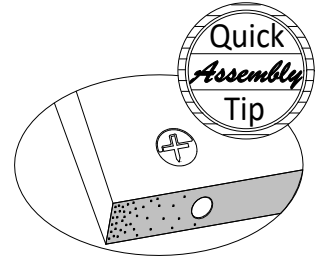
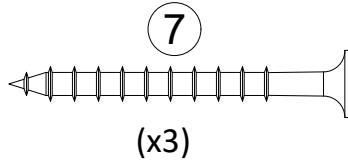
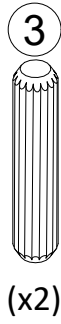
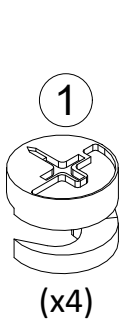
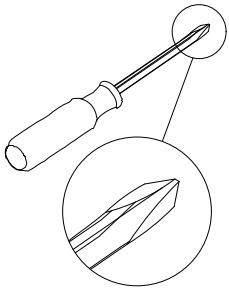
Proper orientation of CAM LOCK



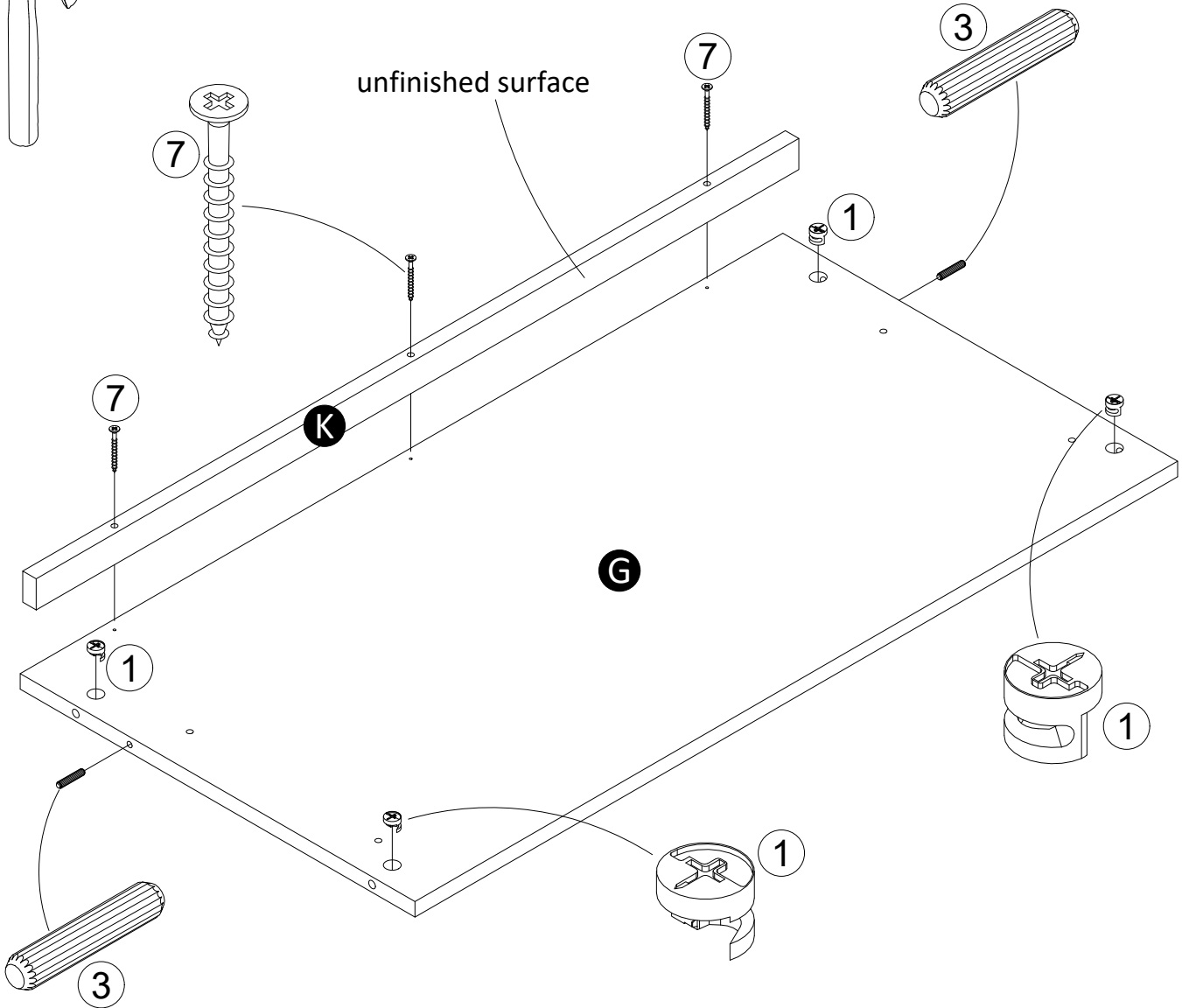
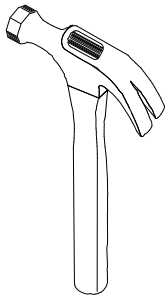
STEP 6



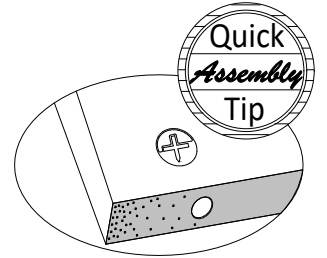
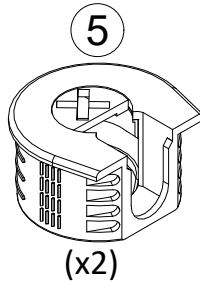
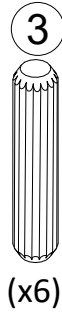
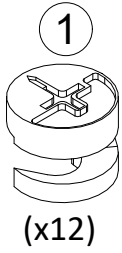
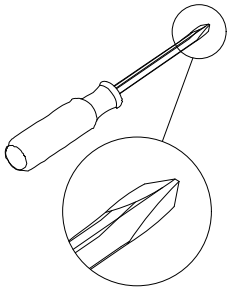
STEP 7



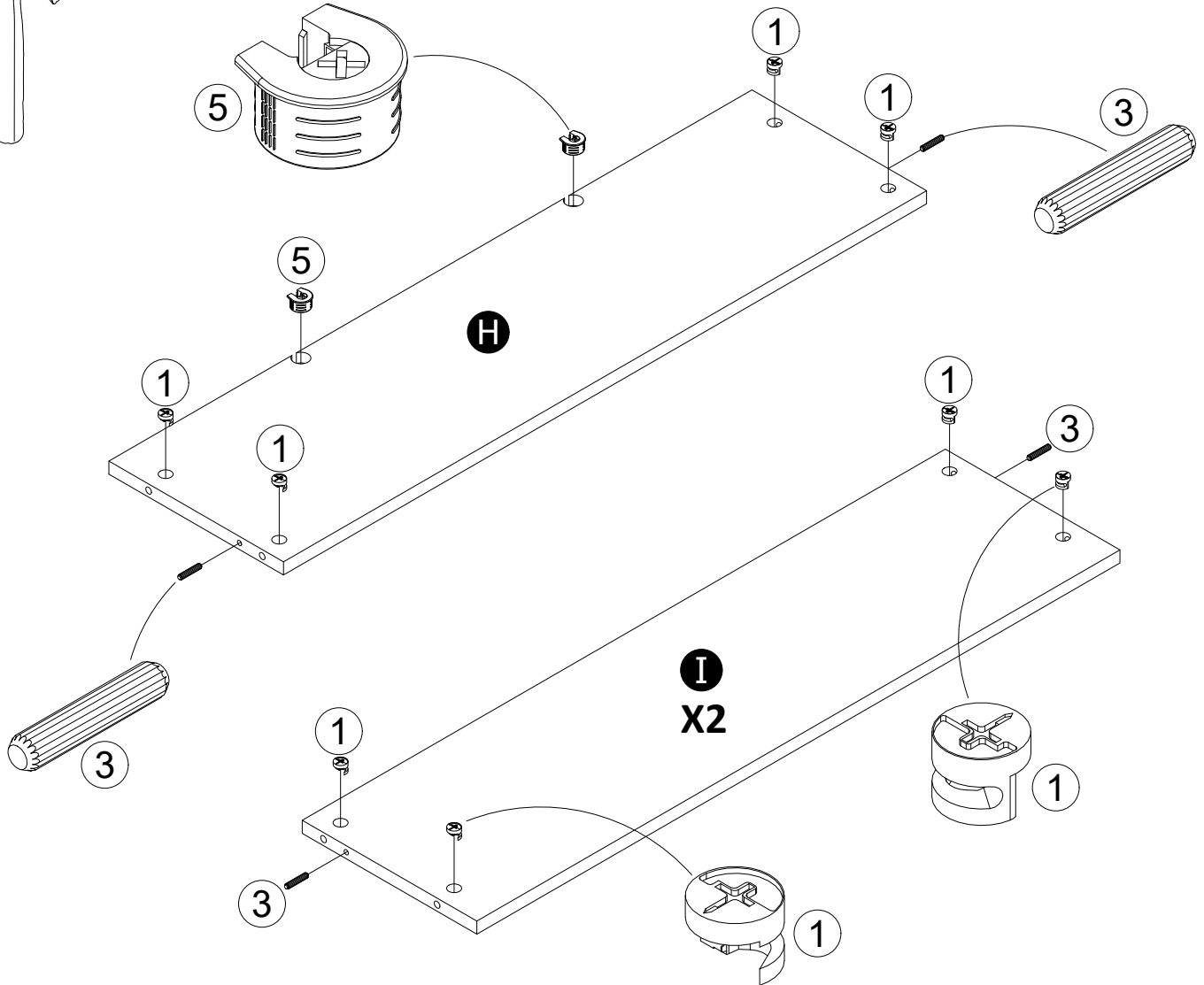
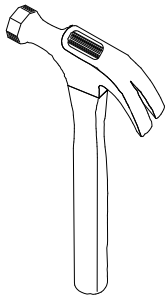
Proper orientation of CAM LOCK



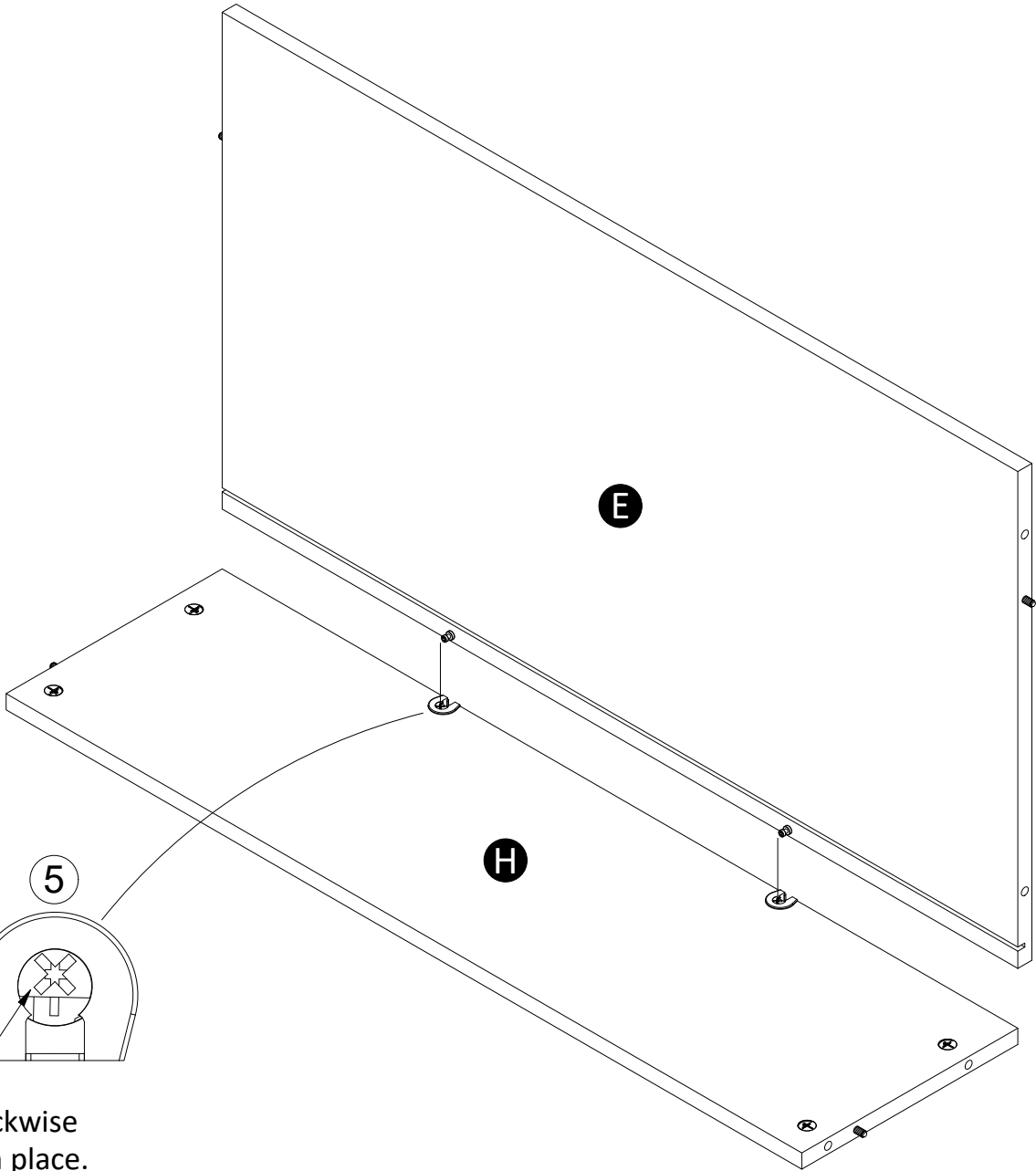
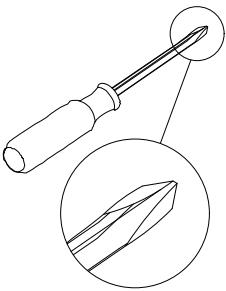
STEP 8



Proper orientation of CAM LOCK

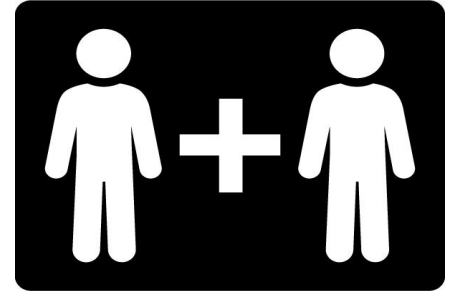
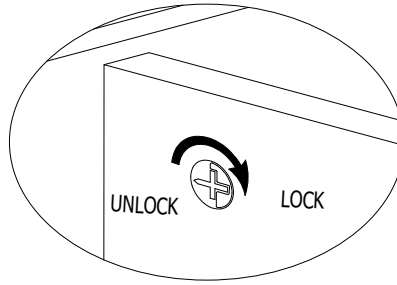
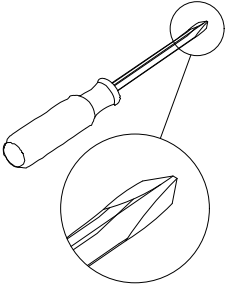


STEP 9

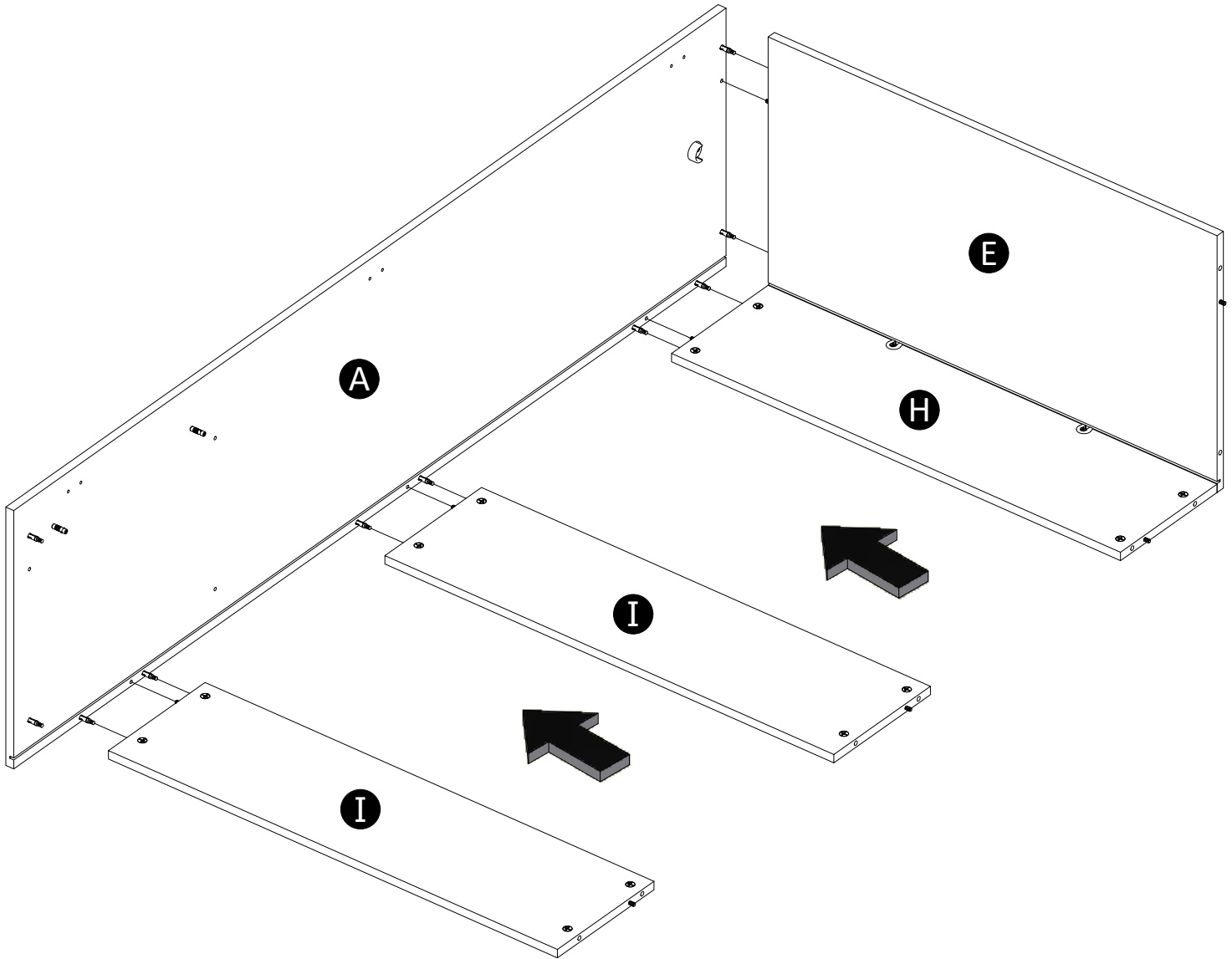


Turn clockwise
to lock in place.

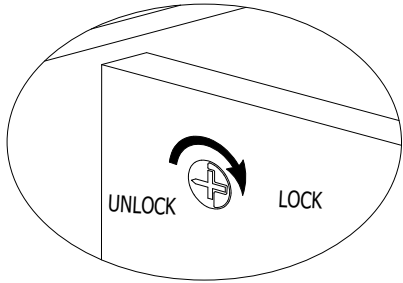
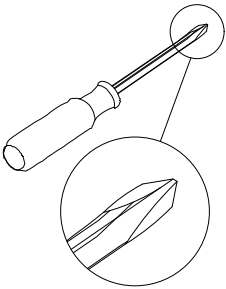
STEP 10



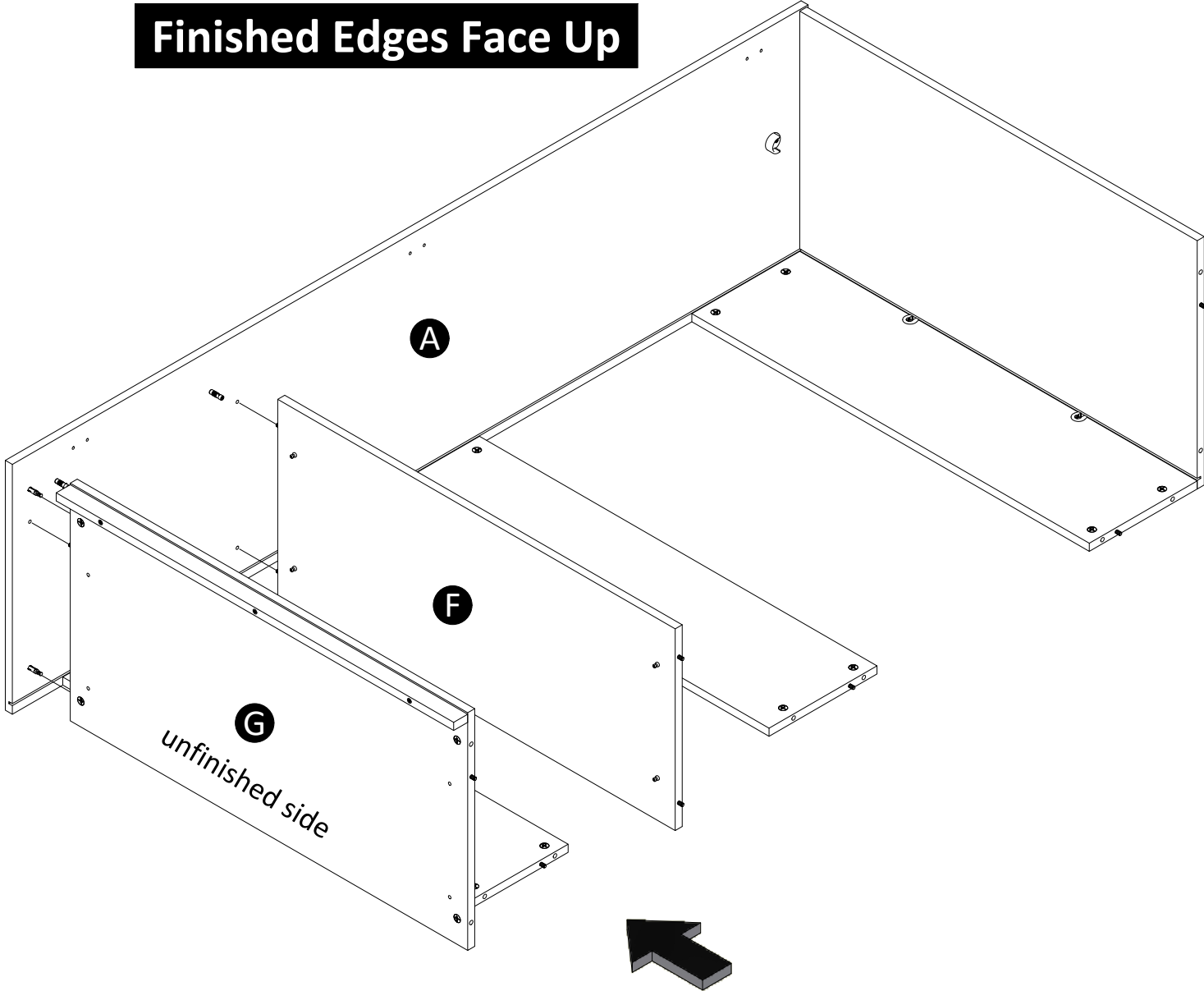
Finished Edges Face Up



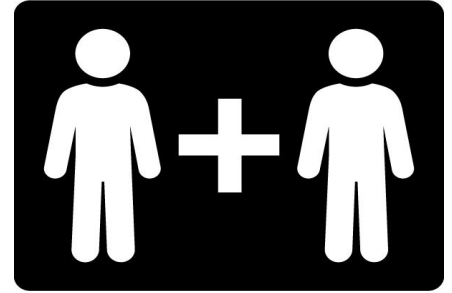
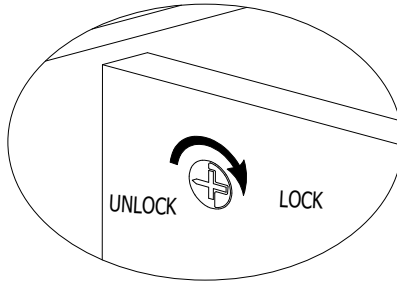
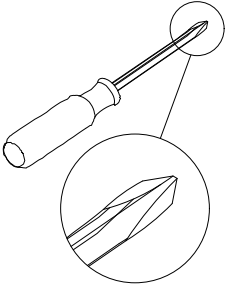
STEP 11



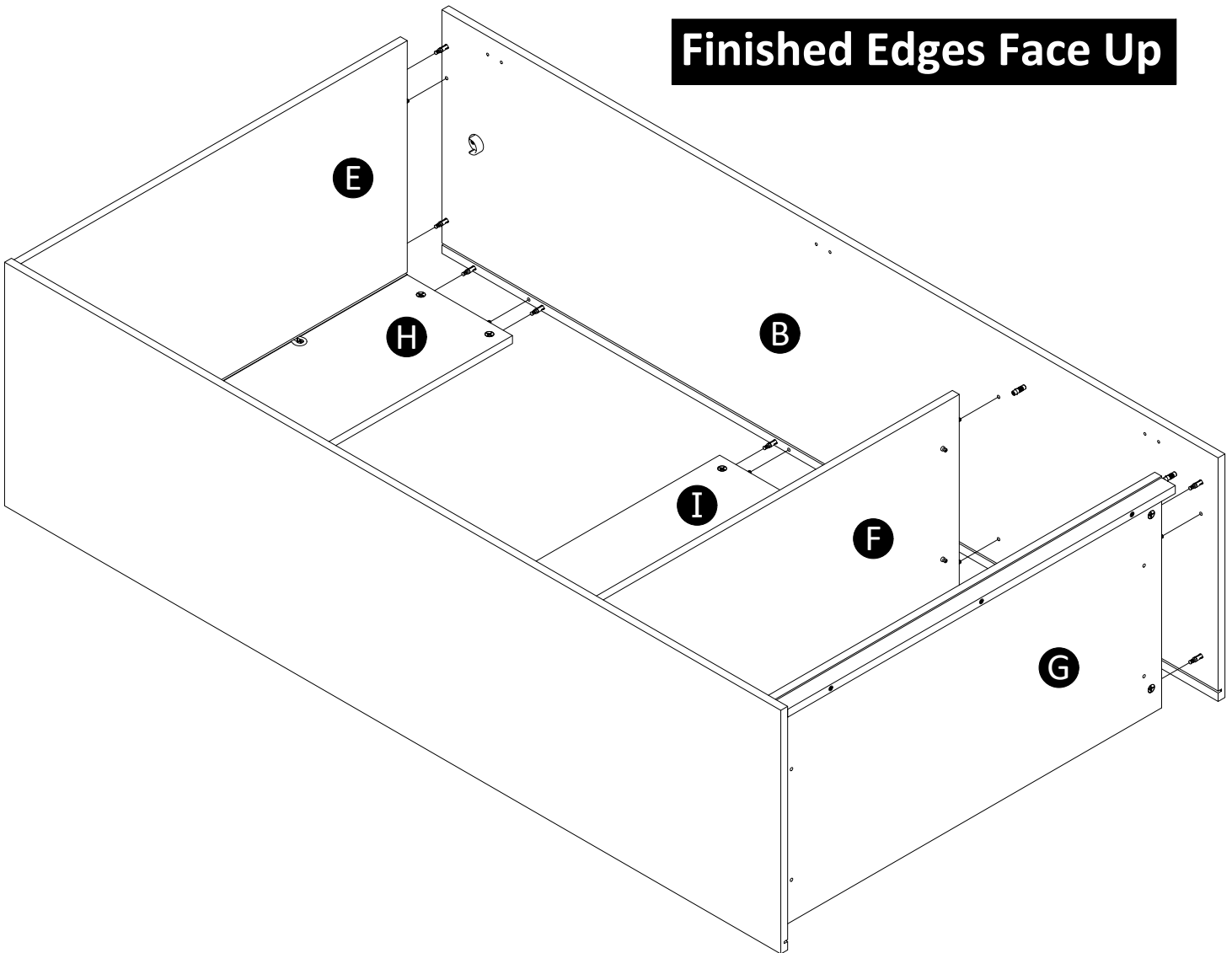
Finished Edges Face Up



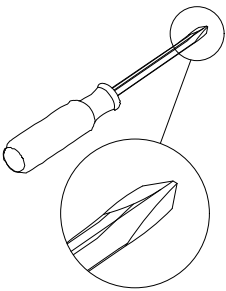
STEP 12



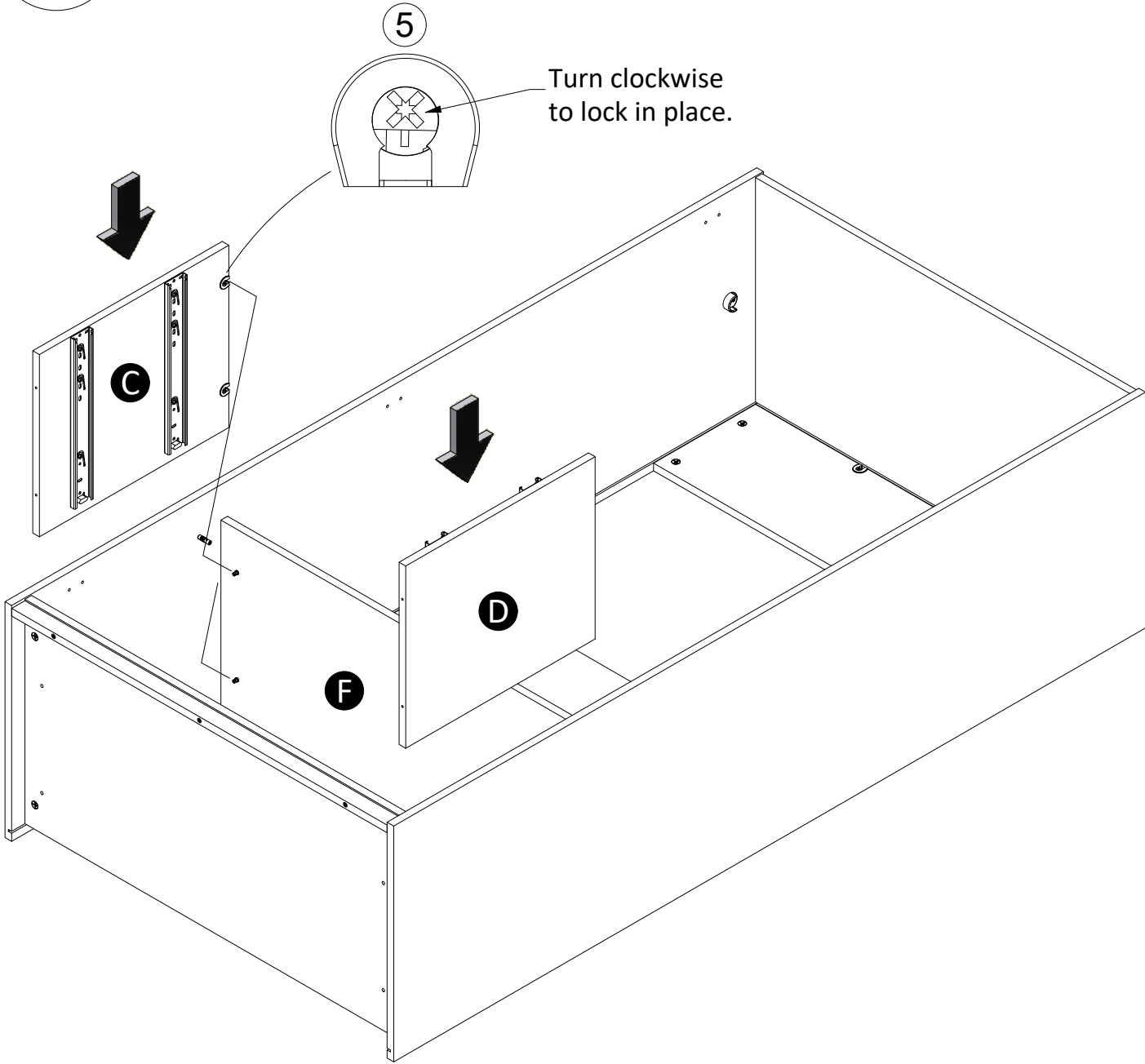
Finished Edges Face Up



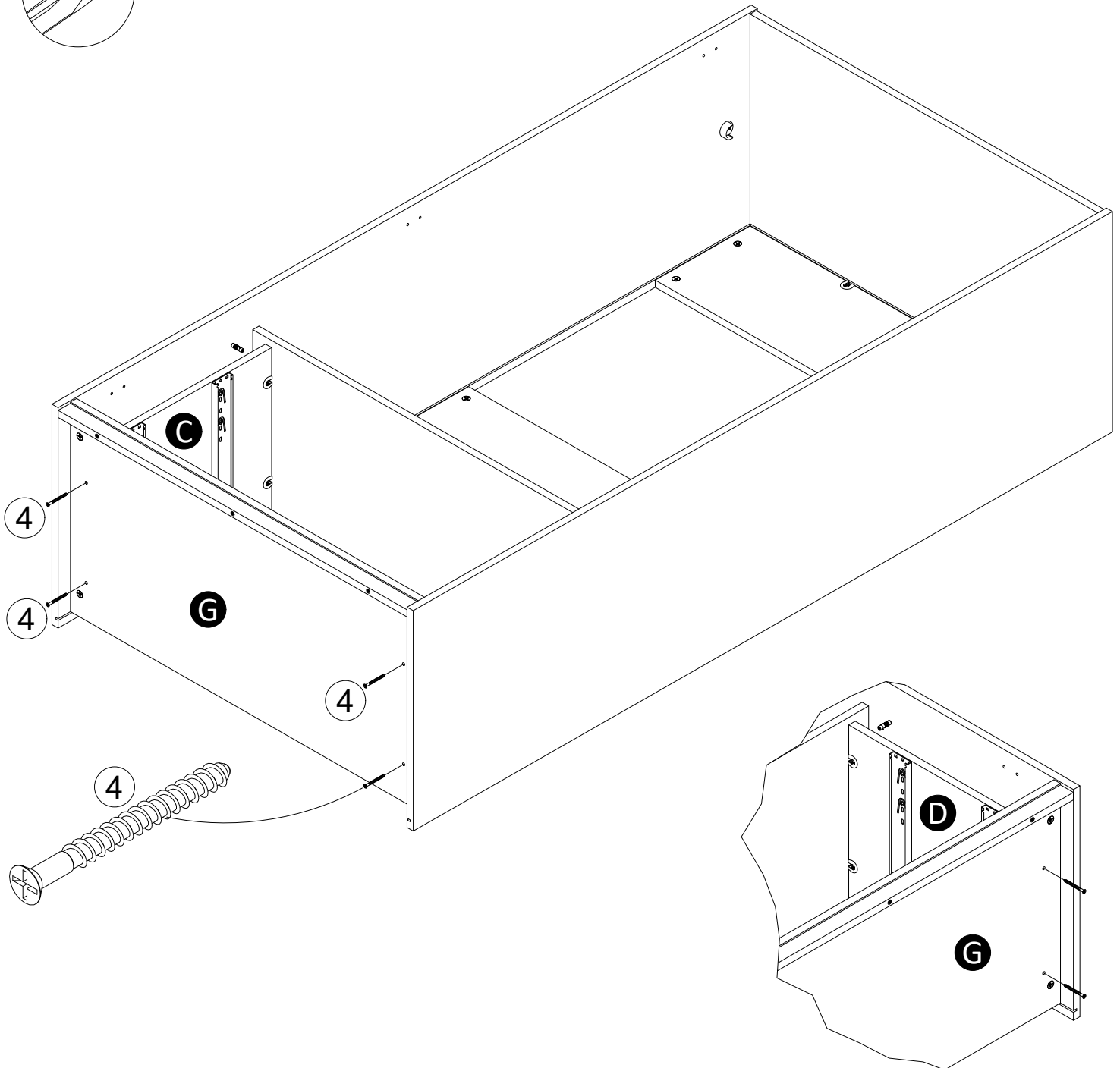
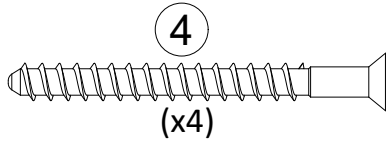
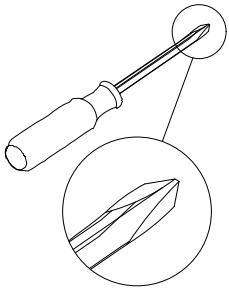
STEP 13



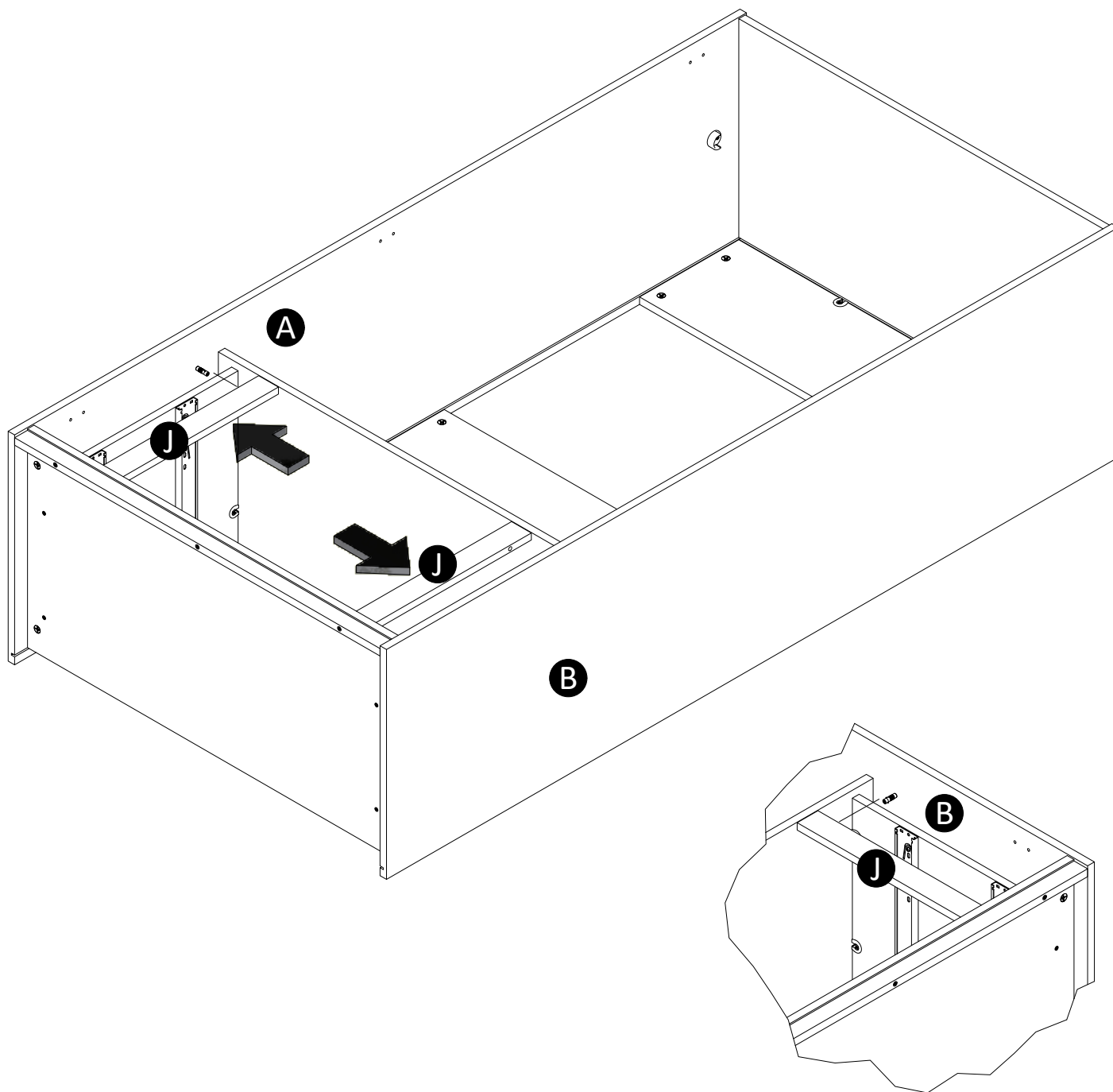
Finished Edges Face Up



STEP 14



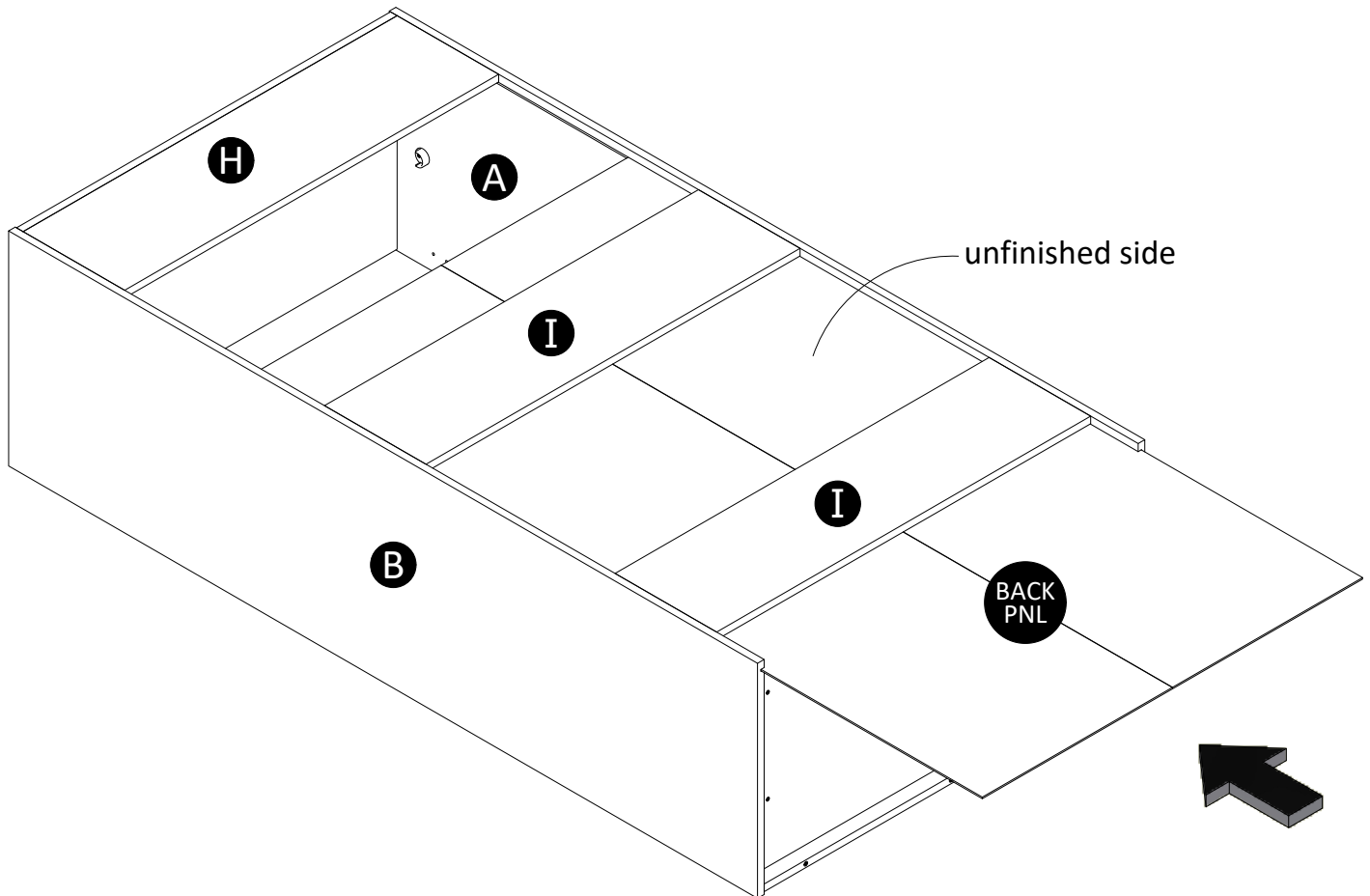
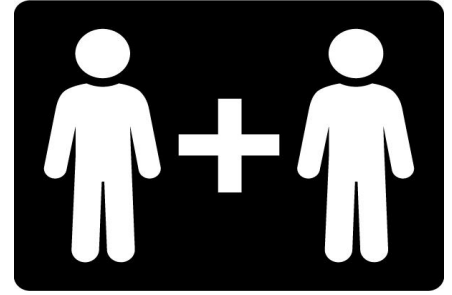
STEP 15



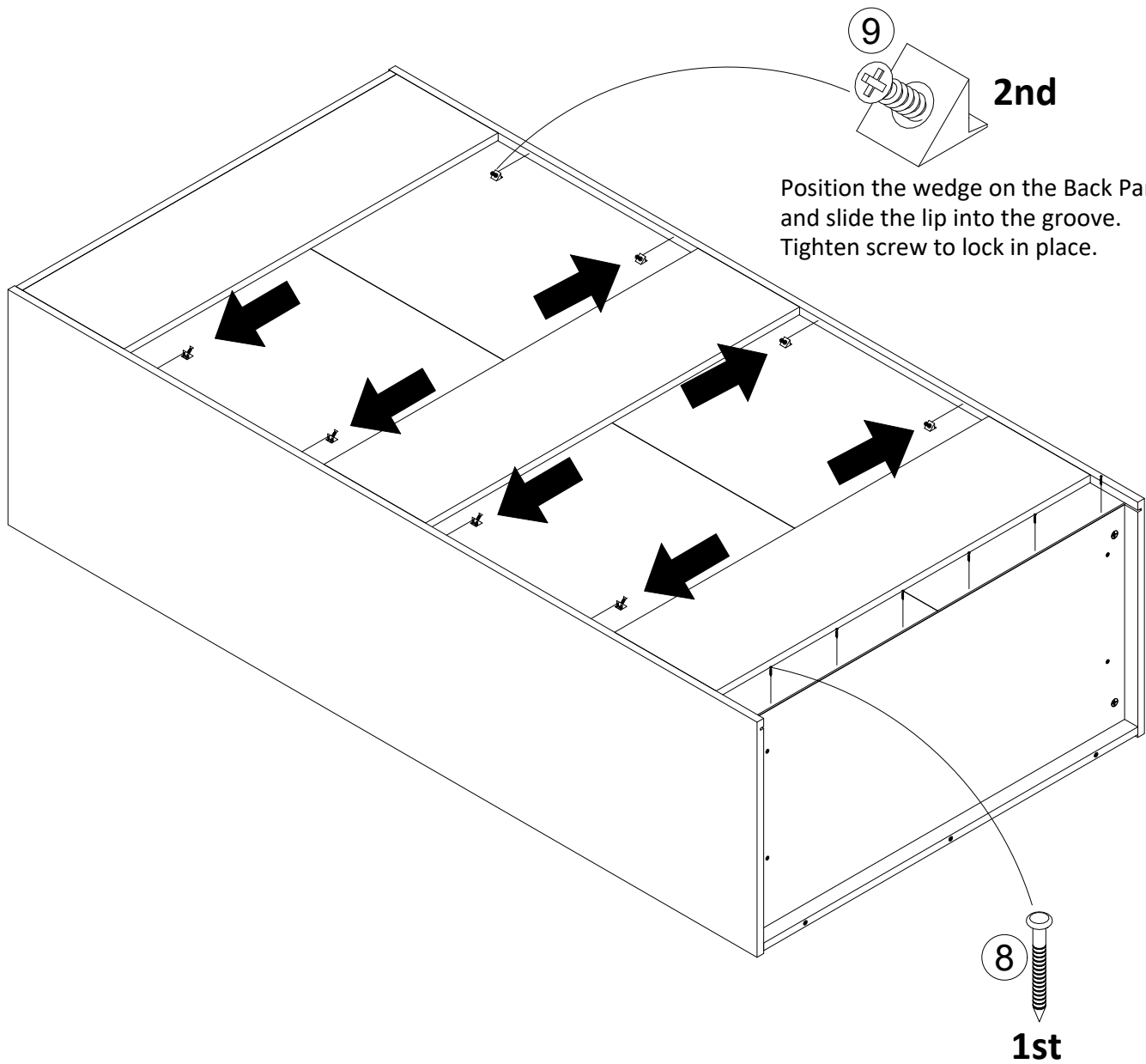
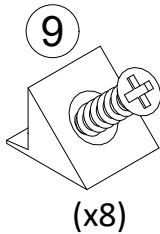
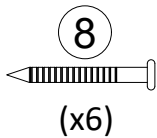
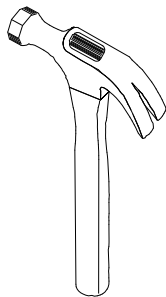
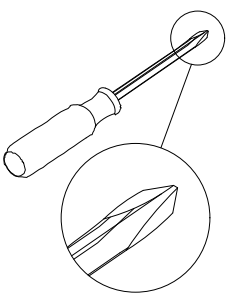
STEP 16

IMPORTANT! THE BACK PANEL IS A STRUCTURAL PART OF THIS UNIT AND MUST BE INSTALLED PROPERLY.

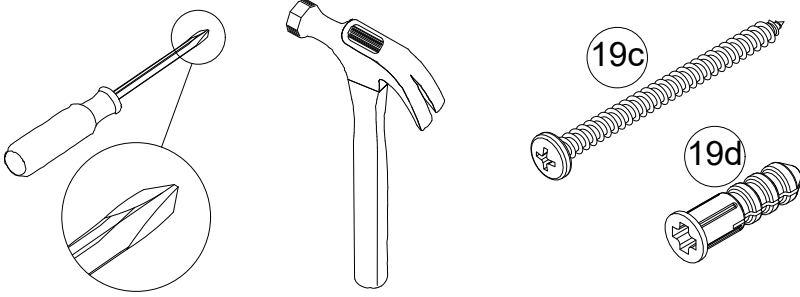
With the help of another person, turn unit on its front side. Unfold the back panel. With uncut side facing down, slide the back panel into the groove in the Left and Right Panels (A&B) seating into the groove in the Top (E). Note, the back panel will be under the supports.



STEP 17



STEP 18



For Masonry, Concrete, or other wall materials:
Consult your local hardware store for appropriate anchors to securely attach the safety bracket.

IMPORTANT: THIS UNIT MUST BE SECURE TO THE WALL TO HELP PREVENT TIPOVER. FOLLOW THESE INSTRUCTIONS TO INSTALL THE ANTI-TIPPING SAFETY BRACKET PROVIDED WITH THIS PRODUCT.

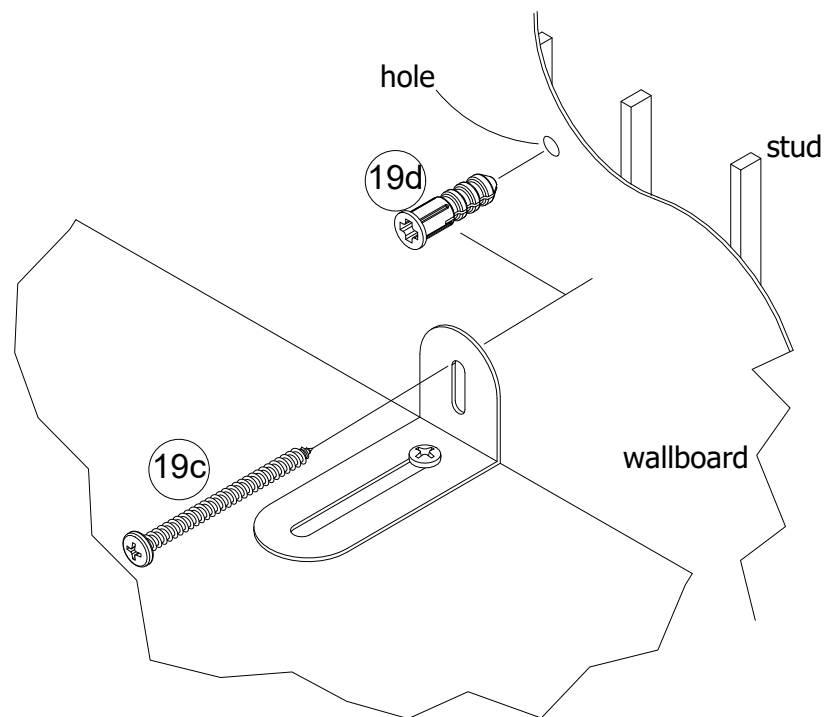
WARNING

Serious or fatal crushing injuries can occur from furniture tipover.

To prevent tipover:

- * Install tipover restraint provided
- * place heaviest items in the lowest drawers
- * Unless specifically designed to accommodate, do not set TVs or other heavy objects on the top of this product
- * Never allow children to climb or hang on drawers, door, or shelves
- * Never open more than one drawer at a time

Use of tipover restraints may only reduce, but not eliminate the risk of tipover



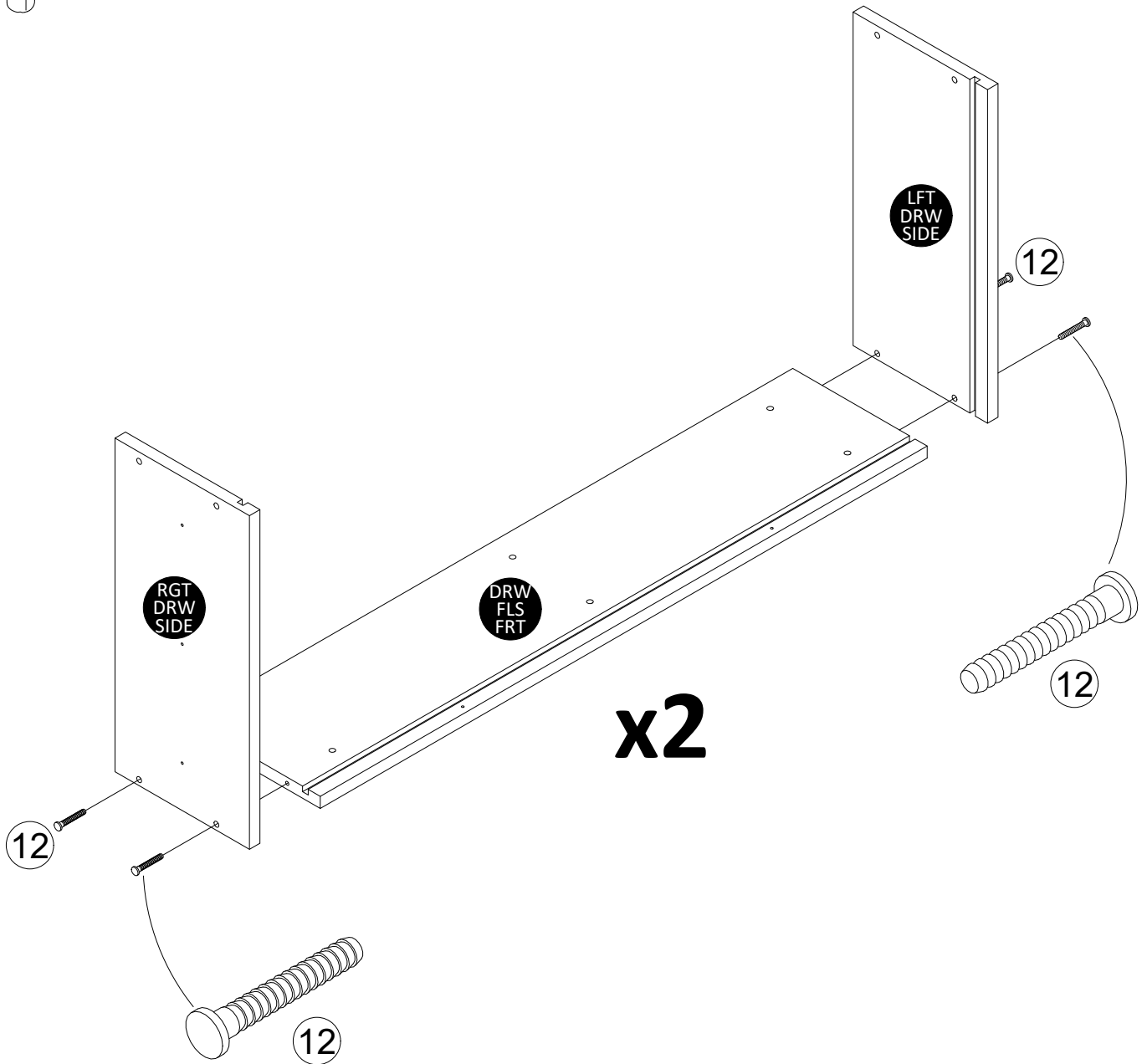
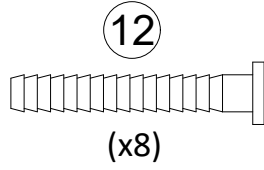
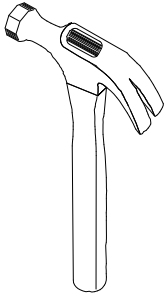
OPTION 1: Attachment into a wall stud (preferred method)

Using a stud finder, locate a stud in the wall. Place your unit against the wall, with the safety bracket aligned in this location. To make driving the screw easier, you can drill a 1/8" diameter pilot hole (3mm) through the safety bracket into the stud. Drive the screw through the safety bracket into the wall stud. Tighten the screw that was not fully tightened in step 5.

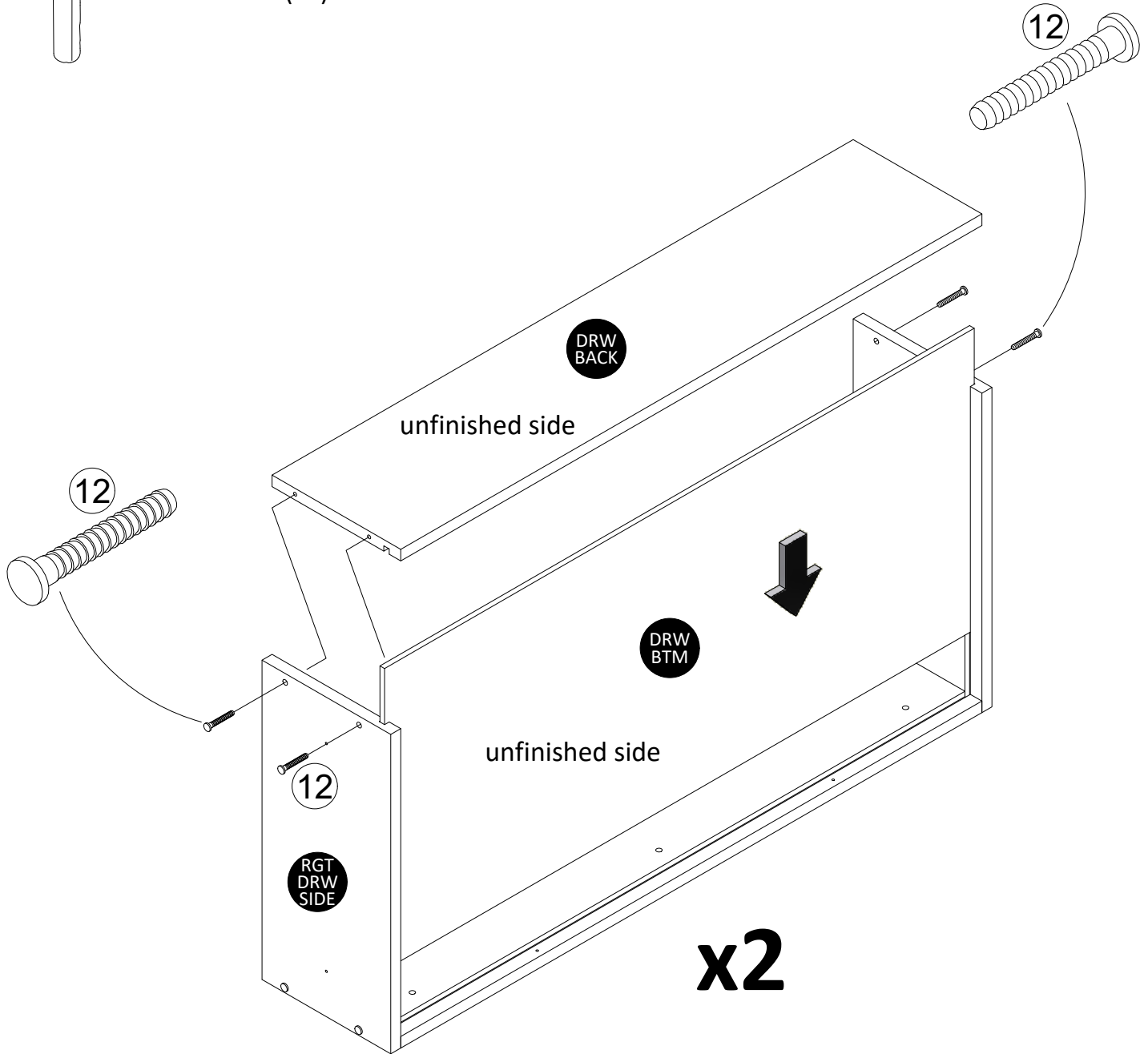
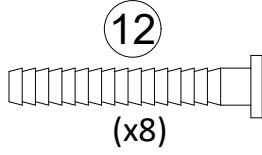
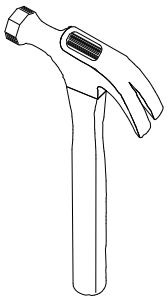
OPTION 2: Attachment into drywall

Locate your unit where desired against a wall and mark the wall through the safety bracket, then move your unit aside. Drill a 3/16" diameter hole (5mm) into the wallboard. Tap the wall anchor into the hole until it is flush. Move your unit into location and fasten the wall bracket to the wall anchor with the screw. Tighten the screw that was not fully tightened in step 5.

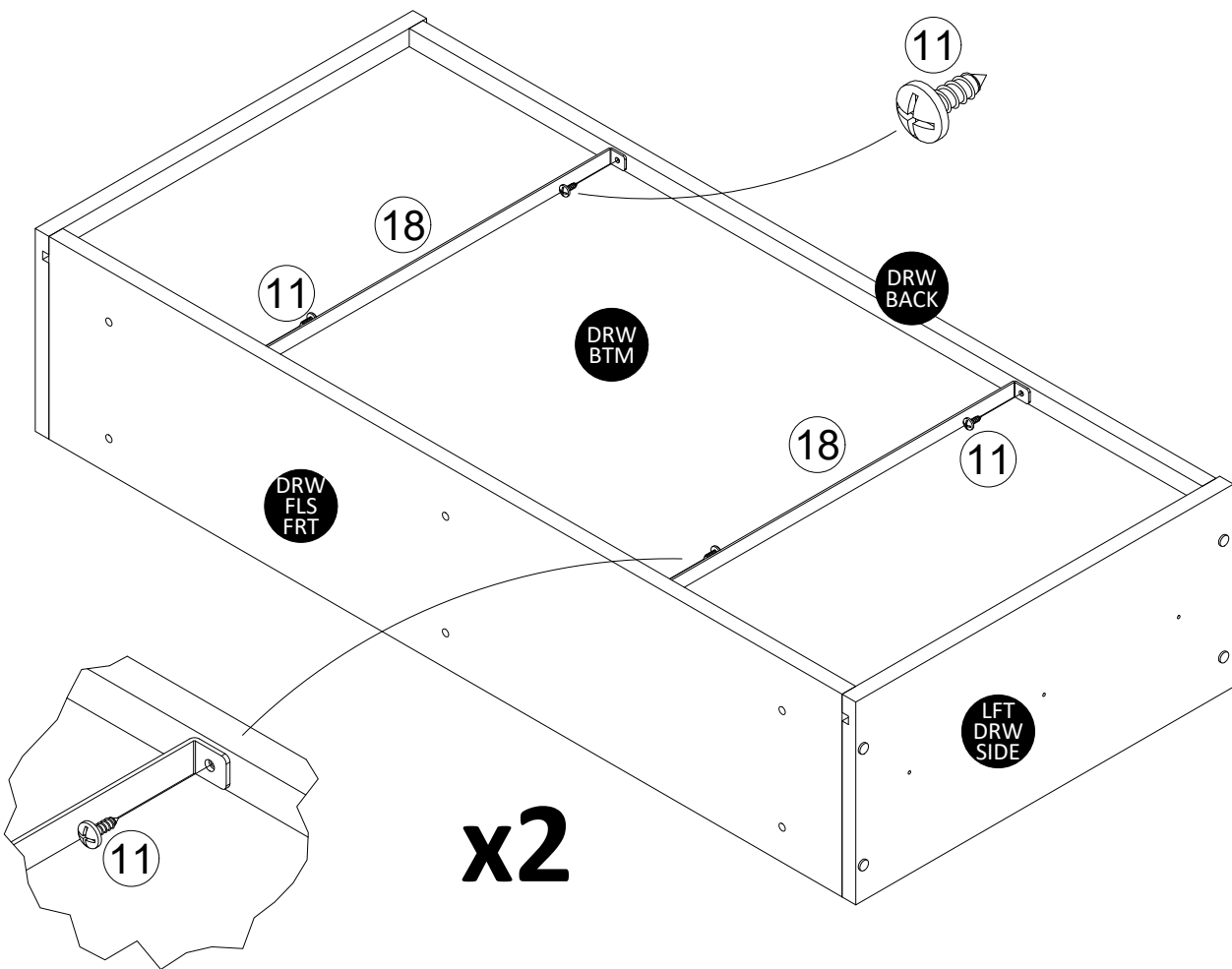
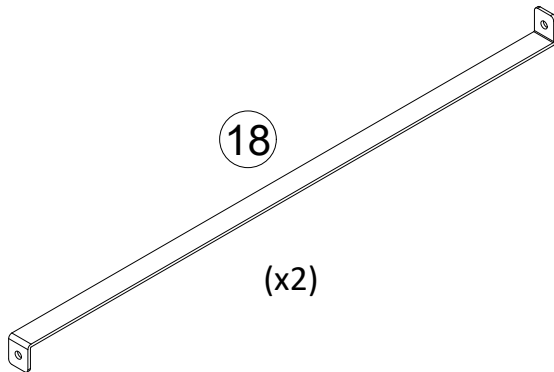
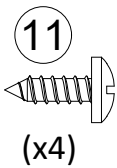
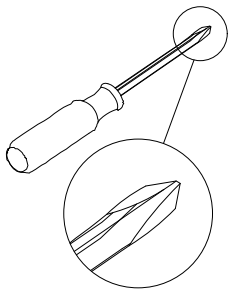
STEP 19



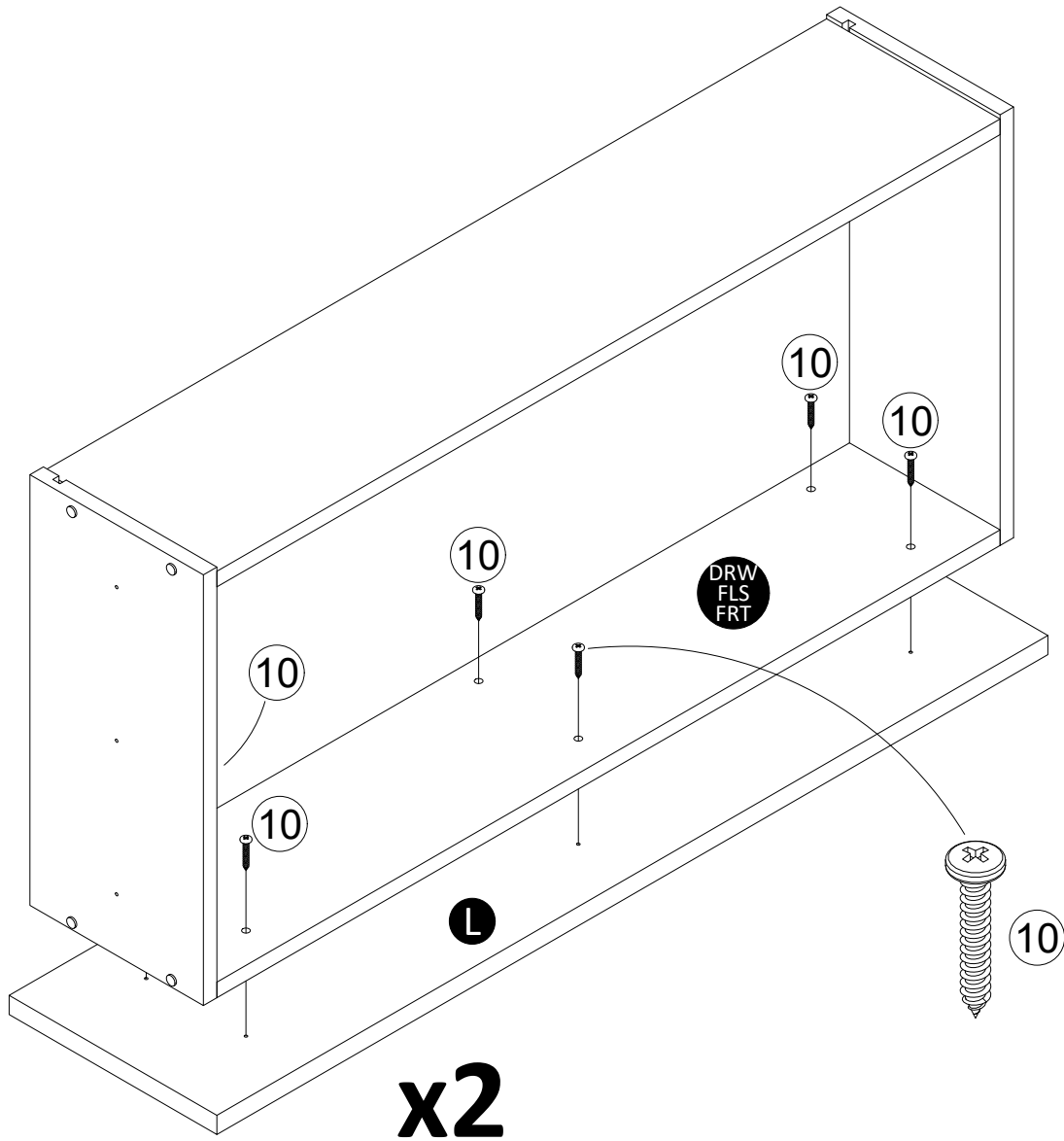
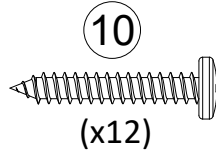
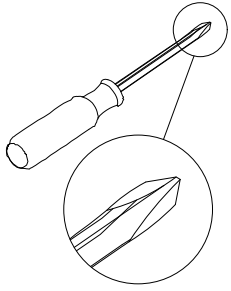
STEP 20



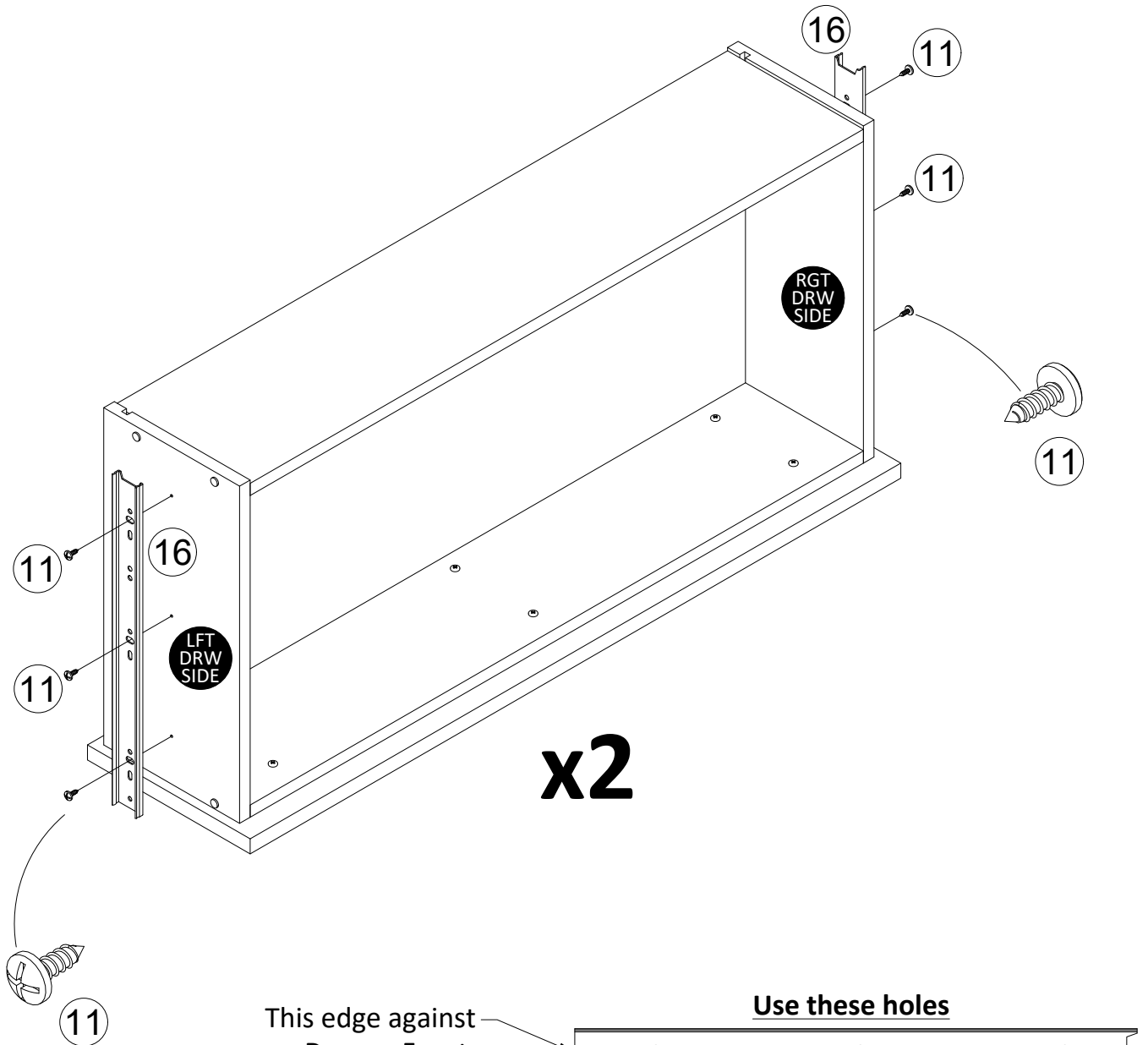
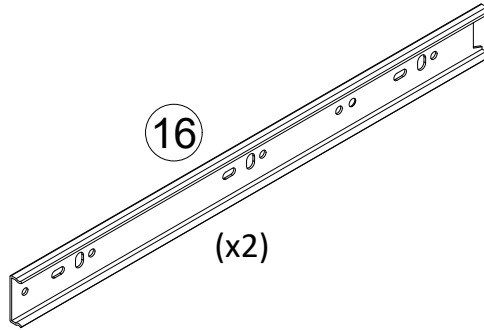
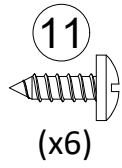
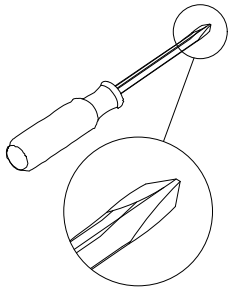
STEP 21



STEP 22

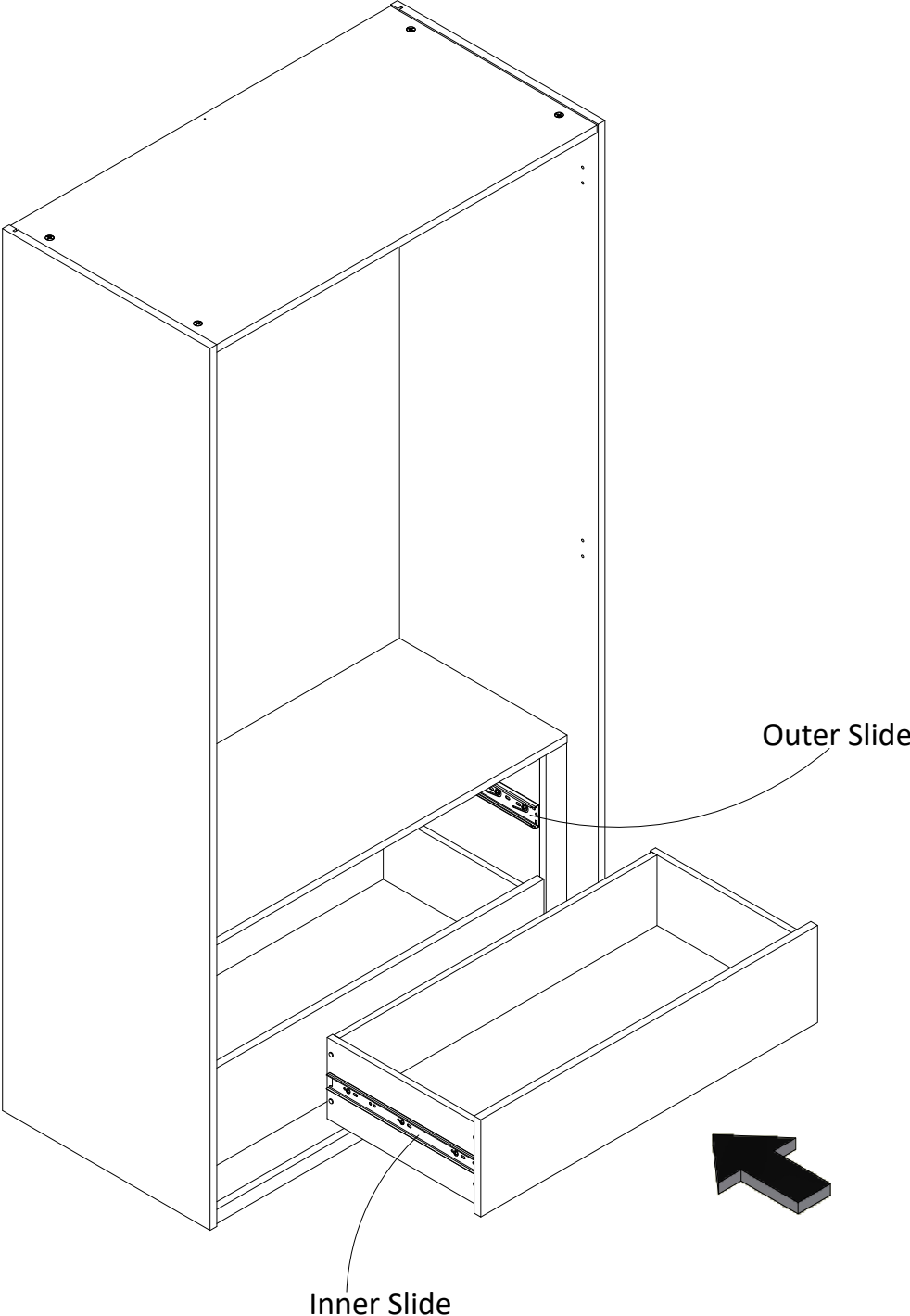


STEP 23

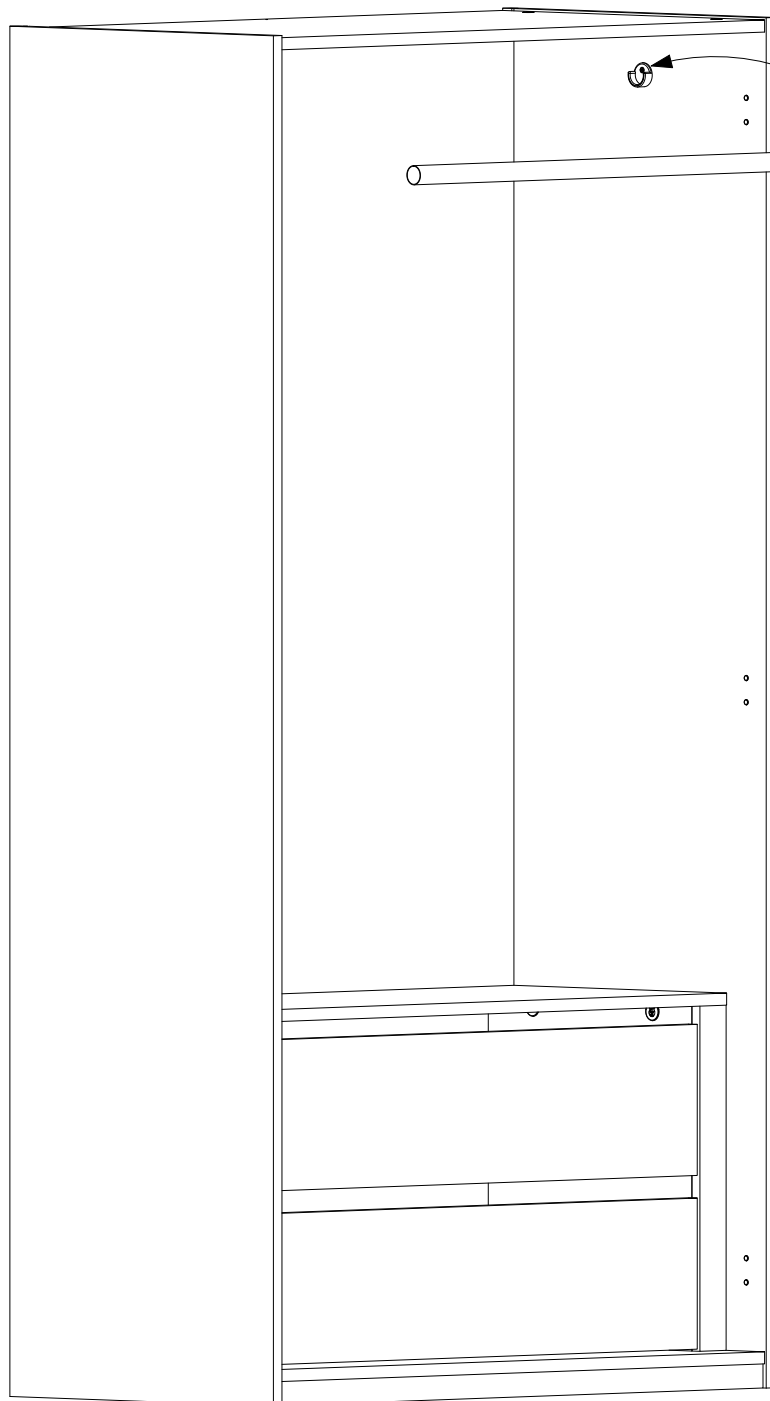


STEP 24

Install drawers by engaging the inner slides (attached to drawer sides) with the out slides attached to the left and right inner uprights. Push in until plastic lever snaps into the outer slide.



STEP 25



17

Place closet rod
onto rod bracket.